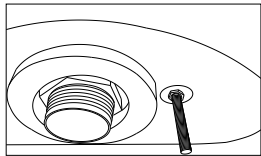
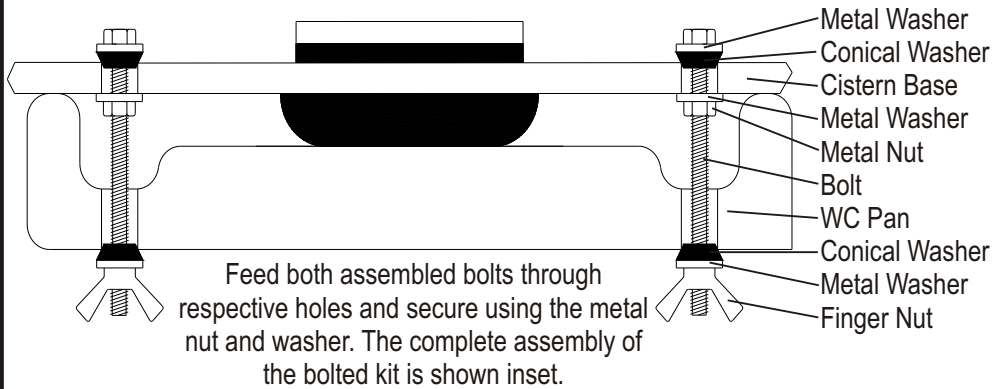


Close Coupled - Bolted Kit



Fit the close coupled washer between the WC pan and cistern, place cistern lid into cistern, fit the close coupled washer as shown in diagram. Secure cistern to pan with complete bolted kit shown in diagram above.



Check there are no pipes or cables beneath the fixing point, then position assembled WC and slide the pan outlet into the flexible connector attached to the soil pipe. A little silicone grease will ease it on. Drill pilot holes into the floor at the fixing points. If it's a solid floor then you will need to drill the holes with a hammer action drill and plug them.



Push plastic protective inserts through the holes in the base of the pan and screw the retaining screws through and into the floor. If the cistern has fixing holes in the back, fix to the wall by drilling and plugging; remember to add rubber washers before tightening nuts.

Connect the supply pipe for the cold water, fill the cistern with water, check for leaks, tighten bolts/joints if necessary.

Bristan Group Ltd
Birch Coppice Business Park
Dordon
Tamworth
Staffordshire
B78 1SG
UK
A Masco Company

Telephone Helpline: 0844 701 6273

800490A

Toilet Fitting Instructions for: GRA TOILET W

Please ensure these instructions are followed carefully - if you are unsure about any aspect of the installation, please consult a qualified installer.

NOTES

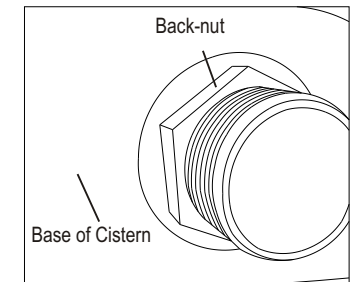
- Consider and plan the installation of your outlet pipes prior to fixing your toilet may be required.
- Do not over tighten wall and bolt fixings or wastes onto ceramic surface
- Do not use mole grips on plastic nuts
- Do not use a sealing compound as damage may occur to plastic components

Standard Sanitary Installation

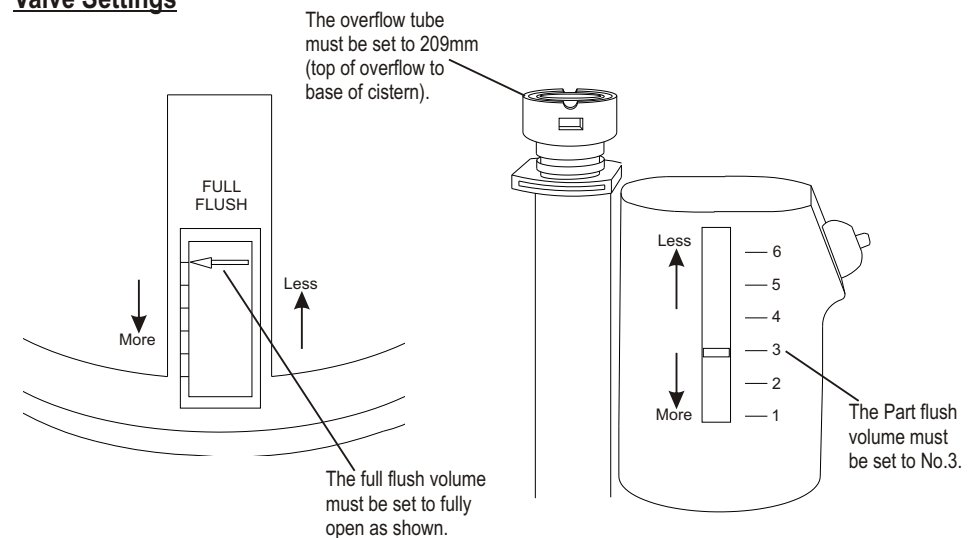
Outlet Valve

Place the base seal over the threaded section of the flushing valve and feed through the base of the cistern and secure hand tight plus half a turn using backnut shown in diagram (using a suitable spanner). Place 'donut' washer over back-nut prior to assembly of cistern onto pan.

Note: The flushing valve is preset to flush six litres (nominal) when the water level is set correct to the waterline marked inside the cistern.



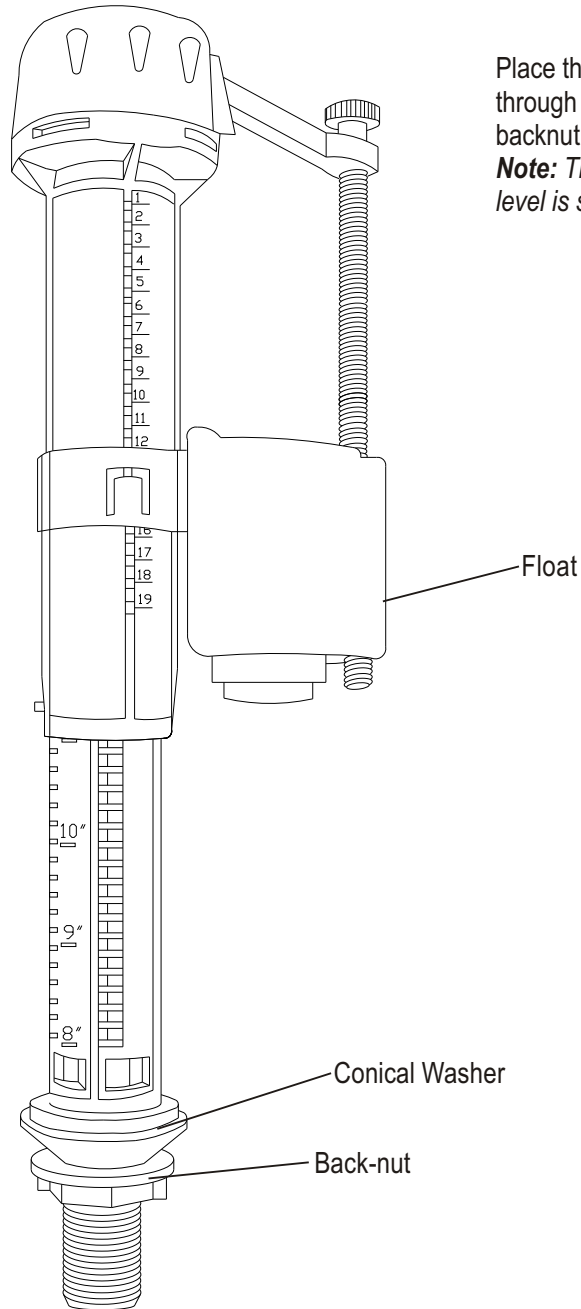
Valve Settings



Inlet Valve

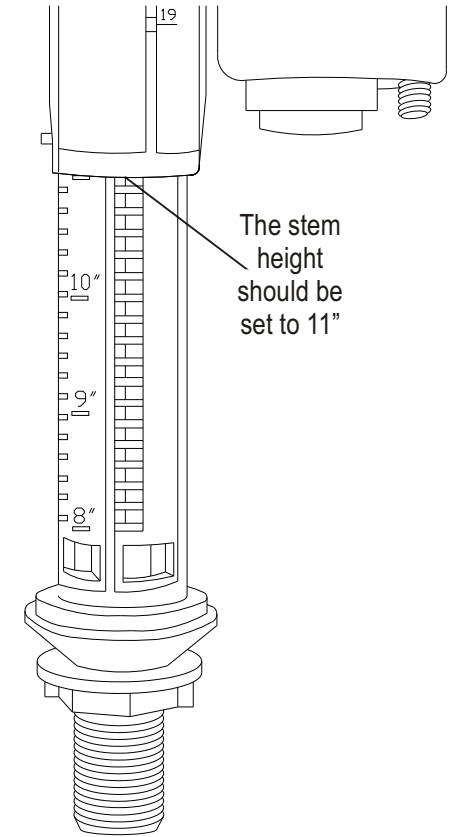
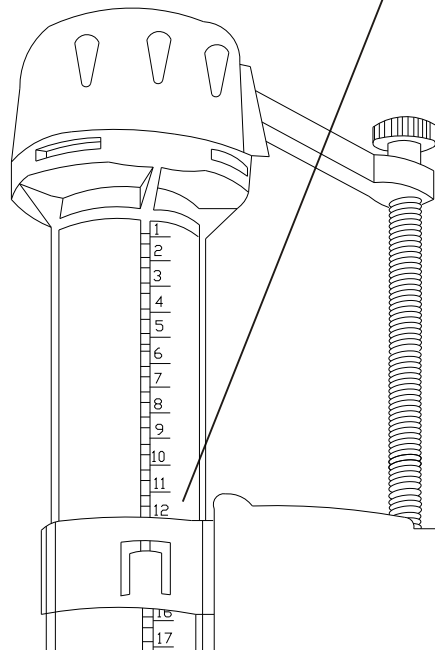
Place the base seal over the threaded section of the flushing valve and feed through the base of the cistern and secure hand tight plus half a turn using backnut shown in diagram (using a suitable spanner).

Note: The flushing valve is preset to flush six litres (nominal) when the water level is set correct to the waterline marked inside the cistern.

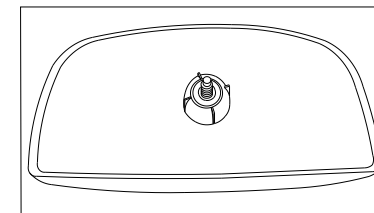


Valve Settings

The cup height should be set to 12"

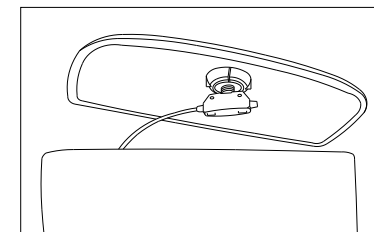


The stem height should be set to 11"



Insert the button through the cistern lid, secure hand tight using back nut provided.

Note: Do not use mole grips on plastic nuts.



Place the button housing over the thread, press the slide across to lock in position.