

AFTERCARE INSTRUCTIONS

Your fitting has a high quality finish and should be treated with care to preserve the visible surfaces.

All surface finishes will wear if not cleaned correctly, the only safe way to clean your mixer is to wipe with a soft damp cloth. Stains can be removed using washing up liquid. All bath cleaning powders and liquids will damage the surface of your fitting, even the non-scratch cleaners. **NOTE: Never use abrasive detergents or disinfectants or those containing alcohol, hydrochloric acid or phosphoric acid.**

Bristan recommend E-Cloth for cleaning all of our bathroom & kitchen products. Using just water, E-cloth gives a smear free, deep clean by breaking up and holding dirt, which normal cloths leave behind. Order through your Bristan stockist. (ORDER CODE: E-CLOTH)



GUARANTEE

All products are manufactured to the highest standards and a 5 year guarantee covers any defect in manufacture.

All products must have access for servicing or replacement during the life of the product.

In the interests of continuous product development we reserve the right to alter specification as necessary

PRODUCT CODE:

PRODUCT IDENTIFICATION CODE LASER ETCHED ON PRODUCT
Installer please fill in code here _____ . (Where applicable)

TELEPHONE HELPLINE! +44 (0)844 701 6273

Bristan Group Limited
Birch Coppice Business Park
Dordon
Tamworth
Staffordshire
B78 1SG
UK
A Masco Company
Website: www.bristan.com
Telephone: +44 (0) 844 701 6274
Facsimile: +44 (0) 844 701 6275
Email: enquire@bristan.com

BRISTAN

Economy Sink Waste (W SNK4 C)

Fitting Instructions & Contents List

Please keep these instructions for future reference and request of replacement part

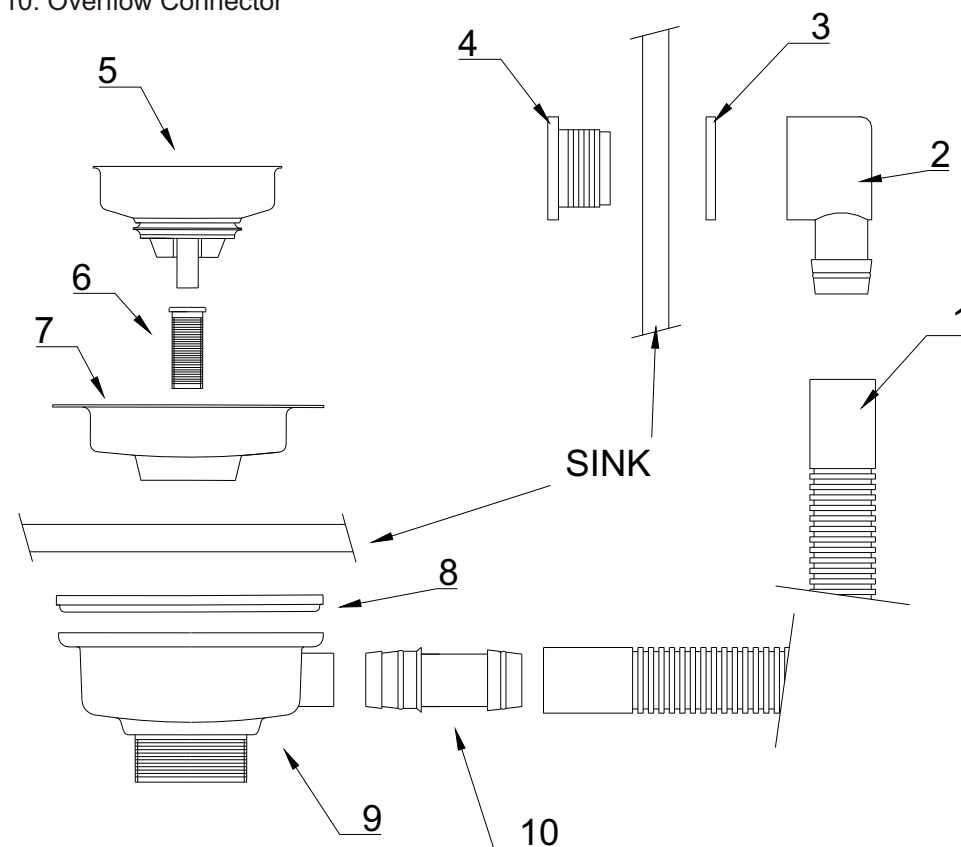
INSTALLATION

N.B. Before installation, please write the name and product code of your fitting in the spaces provided overleaf. This will ensure a speedier service if you should need to phone the helpline.

1. Identify all components and check for completeness, particularly before commencing installation.
2. Fit the flange (7) to the sink, using silicon sealant where necessary.
3. Attach the rubber washer (8) and the waste body (9) to the underneath of the sink, as shown in the diagram. Secure them by fitting and tightening screw (6).
4. Place the waste strainer (5) into the flange as shown on diagram.
5. Fit the overflow outlet 2,3 (if necessary) and 4 to the bath. use a pure silicon sealant where necessary.
6. Connect the overflow elbow (2) to the waste body (11) using the flexible tube (1) and connector (10).
7. Check all joints and connections for leaks.
8. See the back page for aftercare instructions

COMPONENTS

1. Overflow Tube
2. Overflow Elbow
3. Overflow Washer
4. Overflow Face
5. Waste Strainer
6. Screw
7. Flange
8. Rubber Washer
9. Waste Body
10. Overflow Connector



PLEASE NOTE:

In the unlikely event you find a part missing, please contact our Customer Service helpline on **0844 701 6273** for immediate dispatch of part