

BRISTAN

Thermostatic Cartridge

SK971007

Service Instruction



Please keep these instructions for future reference



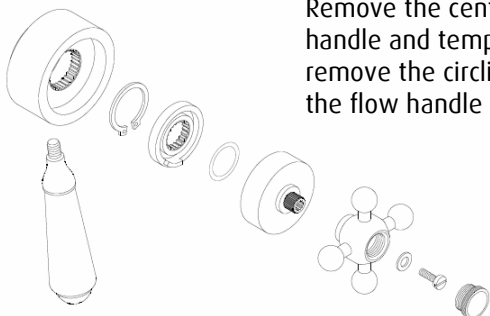
Before starting any servicing please isolate your water supply by either;

- 1. Turn the water off at the mains supply stopcock*
- 2. Turn the water off at the isolations valves to the shower*

The following literature will guide you through servicing and regulating the temperature of your shower valve.

Removing the cartridge

1. Turn off the water supply to the shower valve.
2. To enable you to expose the cartridge you will need to remove the control assembly.

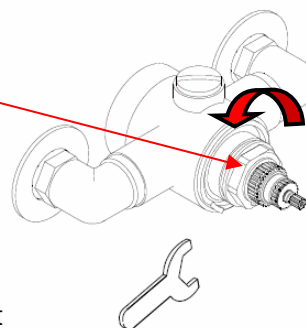
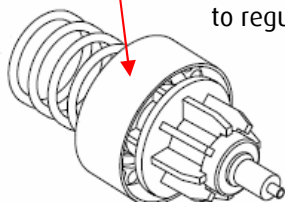


Remove the centre cap / indice and then the retaining screw. Pull the temperature handle and temperature handle adaptor off. Remove the temperature stop ring and remove the circlip that holds the flow handle in place. Once this has been removed the flow handle will pull off.

3. Once you have removed the control assembly you will come to the Temperature stop ring. This will have to be removed carefully. (remember what position it came off in, it may be necessary to mark the position on the valve).

4. After taking the temperature stop off the next part you need to remove is the cartridge. Using either an adjustable spanner or a 30mm socket unscrew the cartridge anti-clockwise.

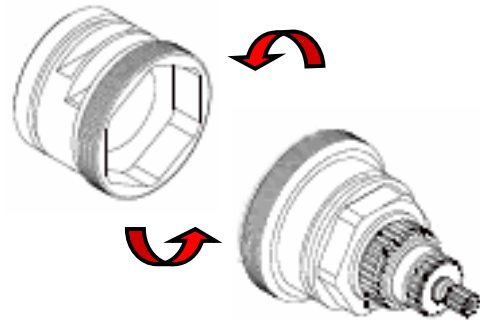
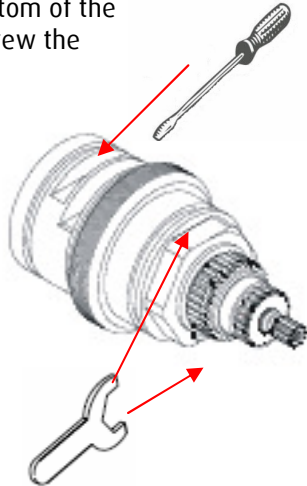
5. Having removed the cartridge, it will expose both the thermostat and piston assembly. The piston sits / rests on a loose spring, when servicing the valve clean off any debris / dirt on the piston and apply a thin layer of silicon grease around the clear cylindrical part of the piston to ease movement, in doing so this will allow the thermostat to regulate the temperature.



6. If the cartridge is heavily covered in lime scale we suggest submerging the complete cartridge in a 50/50 solution of hot water and white vinegar. Leave the cartridge to soak for approximately 4 hours, take out and rinse the solution off with cold water.

7. You will now have to take the cartridge apart to replace all of the seals.

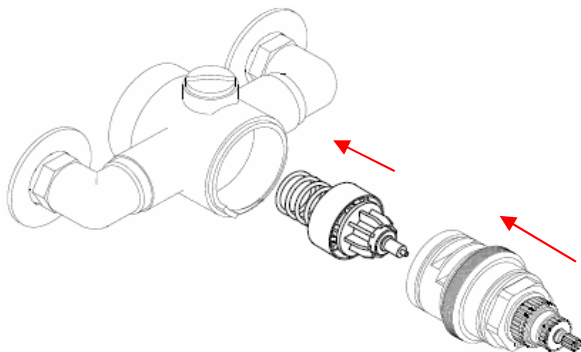
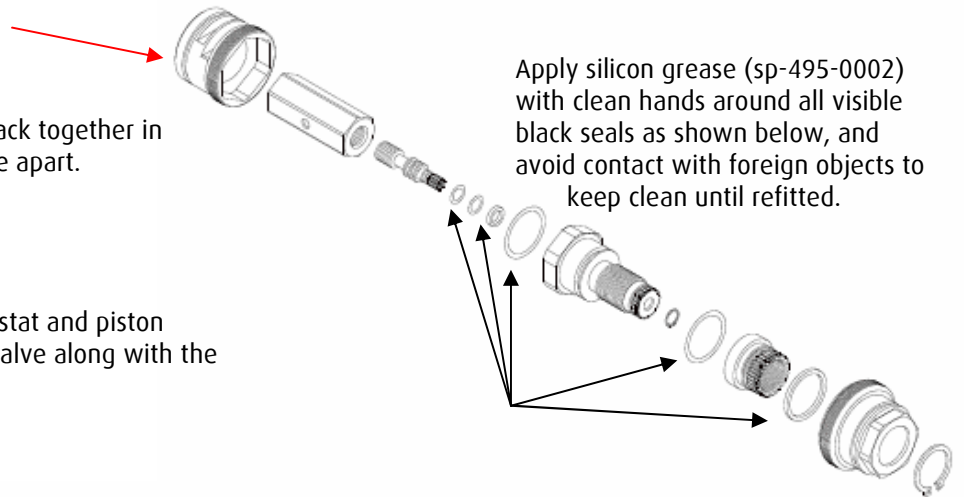
Use your 30mm spanner on the hexagonal nut of the cartridge and place a flat headed screwdriver through the slots of the bottom of the cartridge. Unscrew the cartridge.



8. Remove the circlip that is on the front of the spindle and push the spindle down through the body of the cartridge. Then replace all seals as shown on the diagram opposite. Grease the seals with silicon grease.

9. Re assemble the cartridge back together in reverse order to how it came apart.

10. Replace the spring, thermostat and piston back into the body of the valve along with the cartridge.



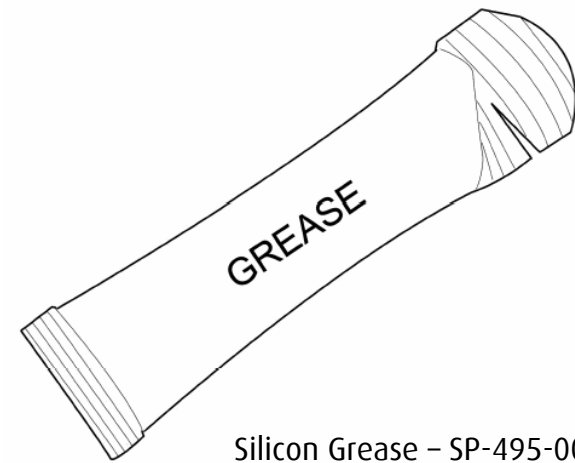
11. Replace the control assembly, centre screw and centre cap.

Temperature Setting / Adjustment

1. Turn on the water supplies and fully open the flow control, let the water run long enough to ensure that the hot water supply is at its maximum temperature.
2. Remove the indice and unscrew the retaining screw.
3. Turn the temperature knob to the maximum setting then turn the shower on fully with the flow control, wait until the max temperature is reached.
4. Lift the temperature knob 3-5mm off the spline of the cartridge.
5. Turn the temperature knob anti-clockwise to increase temperature and clockwise to decrease temperature.
6. Having reached your desired temperature, turn the shower off, reset the temperature knob, Matching the indicator dots on the temperature knob up to the temperature ring.
7. Replace the retaining screw in the allocated slot and push the covering cap back into place.

fault diagnosis	
symptoms	cause / rectification
only hot or cold water from the mixer outlet	Inlets reversed (hot supply to cold supply) check that the connections are the correct way round. Hot on the left and cold on the right when viewed from the front.
	Rework pipework if necessary.
outlet temperature too hot / cold	No hot or cold water reaching mixer.
	Check insert filters for any blockage.
	Installation conditions outside operating parameters. Refer to specification section. Winter conditions - If using combination boiler system and shower output temperature is low, please contact Bristan for guidance.
fluctuating or reduced flow	Check the shower handset, hose and filters for any blockage.
	Make sure that the maintained inlet pressures are nominally balanced and sufficient.
	Make sure the inlet temperature differentials are sufficient. The inlet hot water temperature must be at least 10°C above the required blend temperature. The maximum recommended hot supply is 60°C
	Air lock or partial blockage in the pipework.
leaking from controls	Cartridge seals damaged, replace as necessary.
water leaking from shower head	This is normal for a short period after shut off.
	Check that the pressures do not exceed the specification for the product.
	Cartridge seals damaged, replace as necessary.

Bristan Spare Part Numbers



Silicon Grease – SP-495-0002



Complete Cartridge – SK971007



Thermostat & Piston – SK1500-3

Notes

Use this page for any notes that you have regarding the servicing of your shower valve.

BRISTAN

This booklet covers servicing of
SK971007

Helpline
0844 701 6273

Bristan Group Limited
Birch Coppice Business Park, Dordon, Tamworth, Staffordshire B78 1SG

A Masco Company
Website: www.bristan.com
Telephone: 0844 7016 274 Facsimile: 0844 701 6275
Email: enquire@bristan.com