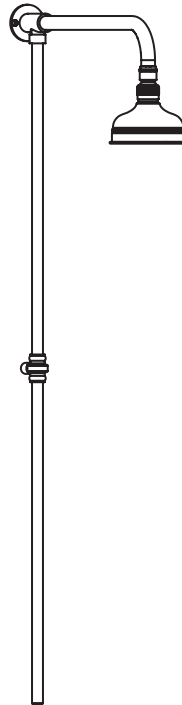


HERITAGE[®]

BATHROOMS

Installation Instructions
and User Guide

Traditional Rigid Riser Shower Kit
Chrome



Models covered: KIT JERA C/G

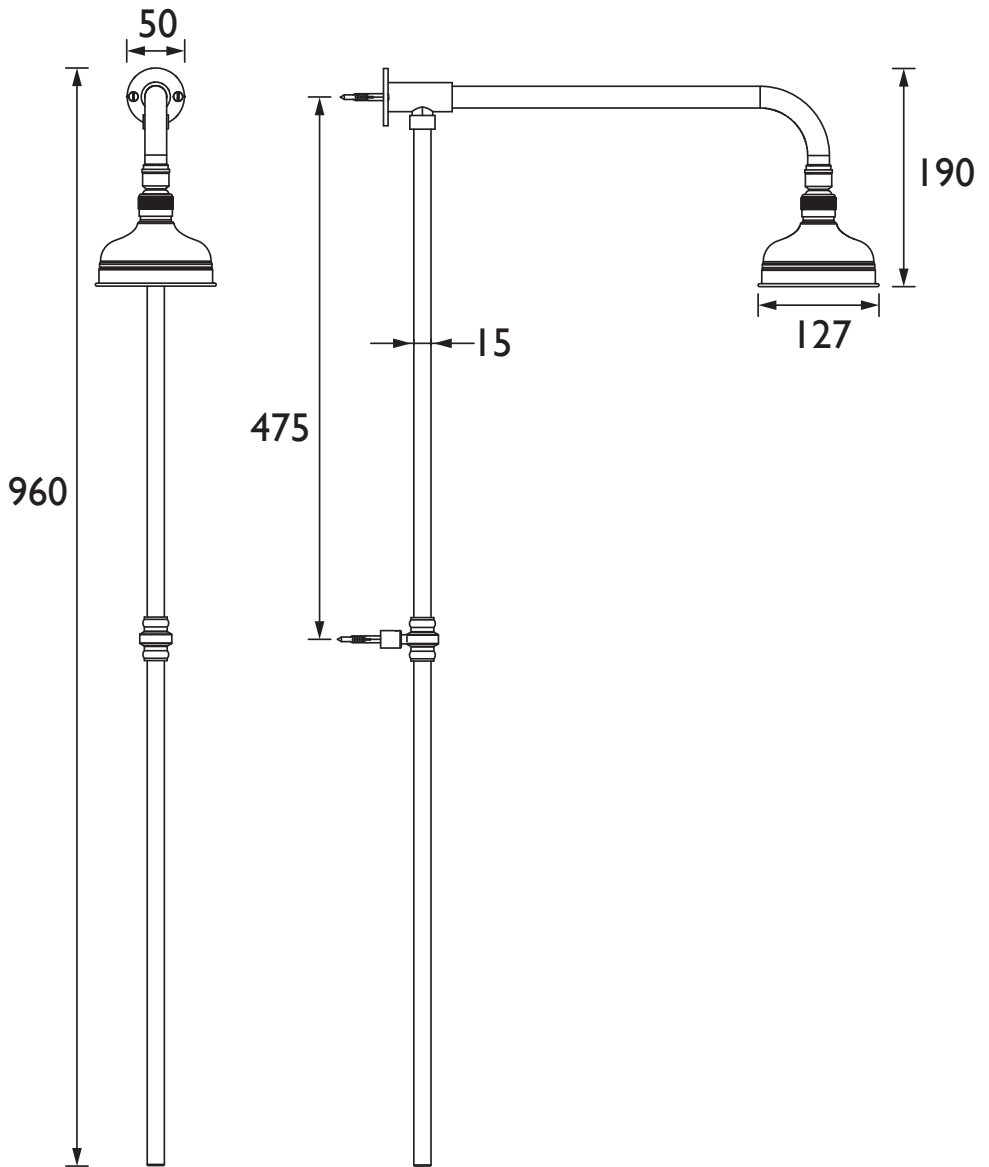
Please keep this booklet for future
reference.

Installer, when you have read these
instructions please ensure you leave
them with the user.

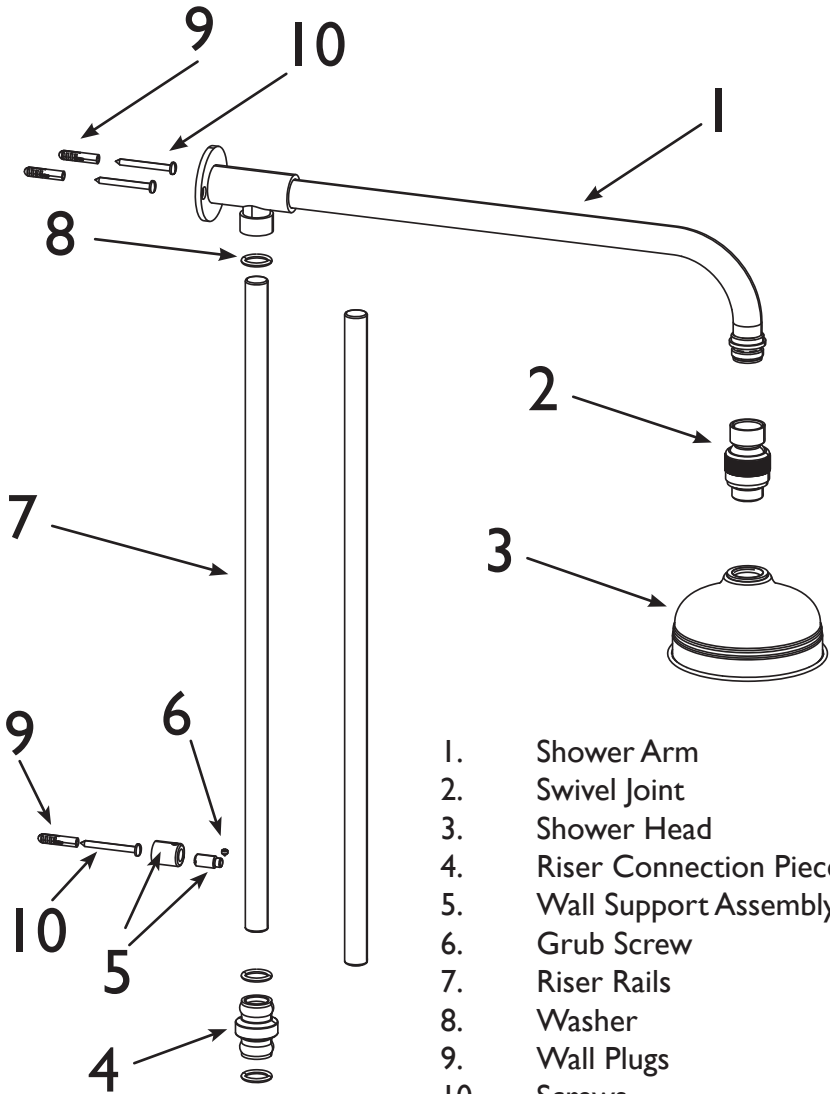
Important Safety Information

- Please read these instructions thoroughly and retain for future use.
- All products manufactured and supplied by Bristan are safe provided they are installed, used correctly and receive regular maintenance in accordance with these instructions.
- If you are in any doubt about your ability to install this product safely you must employ the services of an experienced qualified tradesman.
- Do not use if the showerhead or shower hose has been damaged or is blocked
- Do not crush or kink the shower hose, this could damage the hose and cause leaks.
- Remove all packaging and check there are no missing or damaged parts.
- Before starting any installation please consider the following:
 - Before drilling into walls, check that there are no hidden electrical wires, cables or water supply pipes. This can be checked with the aid of an electronic detector.
- If power tools are used do not forget to:
 - Wear eye protection
 - Unplug equipment after use
- This product must not be modified in any way as this will invalidate the guarantee.

Dimensions



Pack Contents



1. Shower Arm
2. Swivel Joint
3. Shower Head
4. Riser Connection Piece
5. Wall Support Assembly
6. Grub Screw
7. Riser Rails
8. Washer
9. Wall Plugs
10. Screws

Installation

1. Mark the position - Fit the assembled rigid riser into the shower valve top outlet and position against the wall surface. With the rigid riser vertical, mark the position of the top and middle wall bracket fixings onto the wall surface.
2. Drill suitable holes - Remove the assembled rigid riser from the shower valve outlet. Warning: Please check for any hidden pipes and cables before drilling holes in the wall. Drill suitable holes and insert the wall plugs. Securely attach middle bracket to the wall using the screws.
3. Insert bottom rail - Push the shower valve outlet fixings (not supplied) onto the bottom riser. Firmly push the bottom riser into the shower valve outlet and tighten the fixings.
4. Fit the riser connection - Push the rigid riser connection piece onto the bottom rail. Push the top riser into the rigid riser connection piece.
5. Secure the shower arm - Push the shower arm down onto the top Riser. Secure the arm to the wall using the screws provided .
6. Connect swivel joint - Screw the swivel joint onto the thread of the shower arm, ensuring the sealing washer is fitted between.
7. Fit the shower head - Screw the shower head onto the swivel joint ensuring the sealing washer is fitted between.

Notes

Notes

Part Number: JERA KIT C

Issue: D1