

# SOLO2-T3SL

## COMMERCIAL Tap Range

Solo2 Basin Mixer with Short Lever (no waste)



### Specification

<b>Product Type:</b>	Commercial
<b>Main Construction Material:</b>	Brass
<b>Mount Type:</b>	Deck
<b>Handle Type:</b>	Lever
<b>Connection Inlet:</b>	15mm Compression Copper Tails
<b>Connection Outlet:</b>	Open or Aerator Options Available
<b>Number of Tap Holes:</b>	1
<b>Valve/Cartridge Type:</b>	Thermostatic Cartridge
<b>Plumbing System Requirements:</b>	Suitable for all plumbing systems, ideally balanced
<b>Minimum Dynamic Pressure (bar):</b>	0.2 bar
<b>Maximum Dynamic Pressure (bar):</b>	5 bar
<b>Maximum Hot Water Temperature °C:</b>	60°C
<b>Maximum Static Pressure (bar):</b>	10 bar
<b>Flow Type:</b>	Single
<b>Isolation Included:</b>	No

### Features:

- Easy to use single sequential control for temperature and flow
- Complies with HTM04-01
- Automatic thermostatic shut-off in the event of hot or cold water failure
- Above basin access to serviceable parts, limiting down time
- Supplied with copper tails
- Supplied with non-return valves fitted
- Designed for safe handwash healthcare applications to meet D08 regulations
- Not suitable to deliver potable water

### Product Certifications:



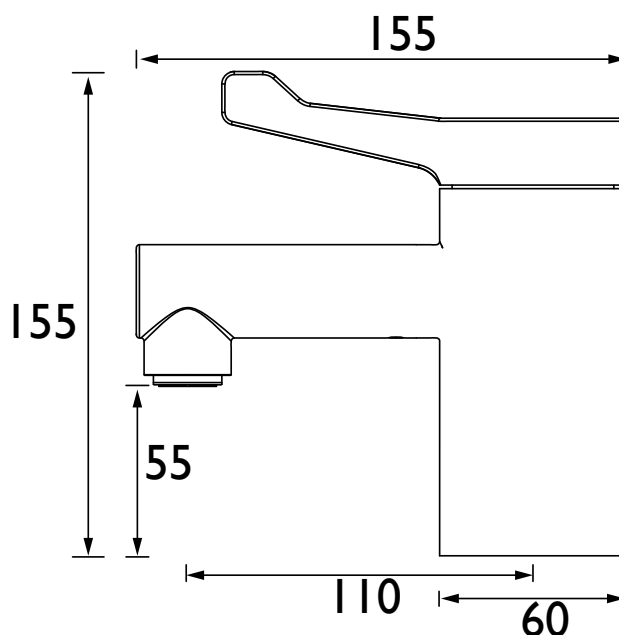
WRAS Certificate No: 2105907  
WRAS Expiry Date: 31/05/2026



TMV3 Cert. No: NSF2464/0222  
TMV3 Expiry Date: 03/02/2027



### Dimensions (measurements in mm)



### Flow Rates (l/min)

System Pressure (bar)	0.2	0.5	1	2	3	5
SOLO2-T3SL (mixed)	1.1	1.7	2.4	3.3	4.1	5.3

# TECHNICAL DATA SHEET



# BRISTAN