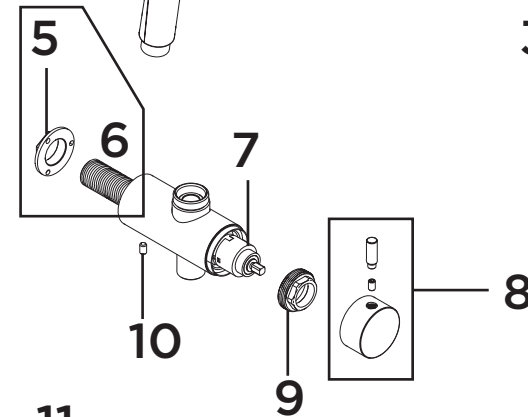
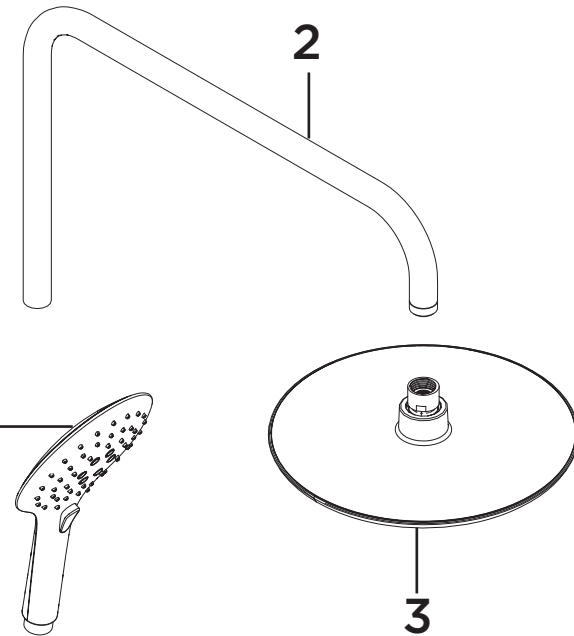
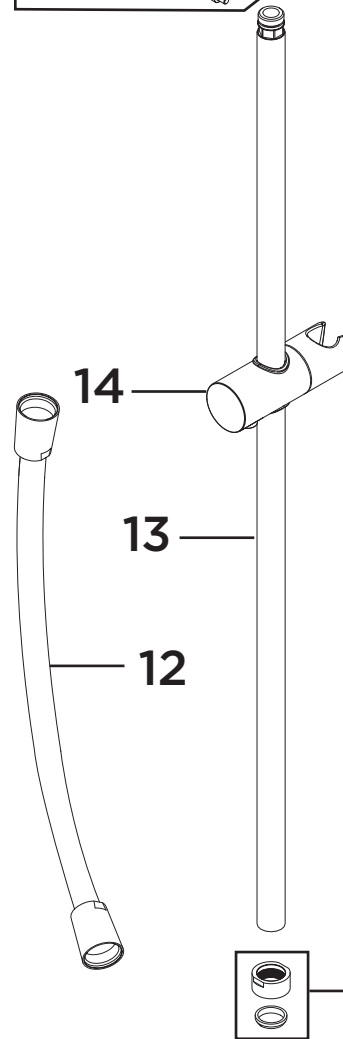
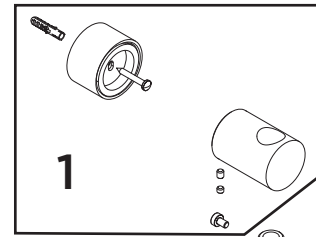


**Product Code:** FLT KIT C

**Revision:** D1



1	Top Wall Bracket
2	Shower Arm
3	Fixed Head
4	HAND22 C Handset
5	1/2" Backnut
6	Fixing Kit
7	Diverter Cartridge
8	Cartridge Retaining Nut
9	Handle Assembly
10	M5x8 Grub Screw
11	Riser Nut & Olive
12	1.5m Hose
13	Riser Rail
14	Slider