

---

# BRISTAN

---

## Installation Instructions and User Guide

Wave Single Outlet Touchpad



**Models Covered:**

**All Wave Showers**

**Please keep this booklet for future  
reference.**

Installer, when you have read these  
instructions please ensure you leave  
them with the user.

# Contents

Welcome to your new Bristan Digital Electronic Mixer Shower, featuring a contemporary design, wired electronic controller and digital mixing unit. Bristan's Digital Electronic Mixer Shower has been designed to be easy to install and use. It has also been designed and tested in the UK to all of the relevant British Standards.

These instructions are for your guidance to a safe and successful installation, so please read them thoroughly and retain for future reference.

We recommend the installation is carried out by a suitably qualified person and must conform with current I.E.E Wiring Regulations (BS7671) and Building Regulations (Part P and Part G).

## Contents

|   |    |
|---|----|
| • Important Safety Information              | 3  |
| • General Information                       | 4  |
| • Specifications                            | 5  |
| • Water Requirements                        | 6  |
| • Water Connections                         | 7  |
| • Electrical Requirements                   | 8  |
| • Installation - Mixer Unit                 | 9  |
| • Installation - Wall Outlet/Interface Unit | 10 |
| • Operating the Shower - On                 | 11 |
| • Operating the Shower - Off                | 12 |
| • System Set Up/User Customisation          | 13 |
| • Maintenance                               | 14 |
| • Guarantee/Spares                          | 15 |

# Important Safety Information

- **Please read these instructions thoroughly and retain for future use.**

- All products manufactured and supplied by Bristan are safe provided they are installed, used correctly and receive regular maintenance in accordance with these instructions.

- **If you are in any doubt about your ability to install this product safely you must employ the services of an experienced qualified plumber/ electrically qualified person.**

- This Digital Electronic Mixer Shower needs to be installed in accordance with, and meet the requirements of the Water Supply (Water Fittings) Regulations 1999 and Scottish Byelaws 2004.

**Before starting any installation please consider the following:**

- Before drilling into walls, check that there are no hidden electrical wires, cables or water supply pipes. This can be checked with the aid of an electronic detector.

- Do not install this shower unit in a room/environment without adequate ventilation or an extractor fitted. This is required to prevent condensation forming within the unit.

- Do not operate the shower unit if the shower head or spray hose has been damaged or is blocked.

- Do not block the flow of water from the shower head, by placing it (smothering it) on your hand or any other part of your body or foreign object.



**Warning:** Before installing the new Digital Electronic Mixer Shower it is essential that you thoroughly flush through the pipe work in order to remove any remaining swarf, solder, etc. Failure to carry out this procedure could cause problems or damage to the workings of the Mixing Valve.

- Do not operate the shower if the water stops flowing during use or if the water is leaking from the Mixing Valve itself. Turn off at the mains electrical supply and refer to the Troubleshooting section or contact Bristan Customer Services on 0330 026 6273.

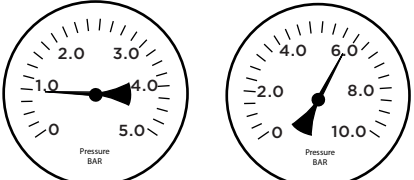
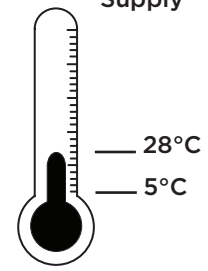
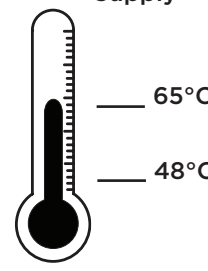
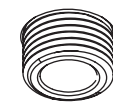
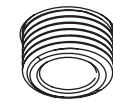






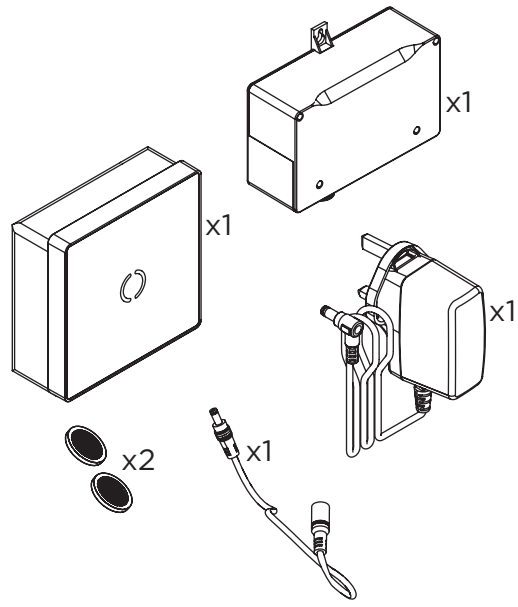
**Warning:** Do not operate this product if you suspect it is frozen. Do not site the Mixing Valve where it might be subjected to freezing conditions.

# General Information

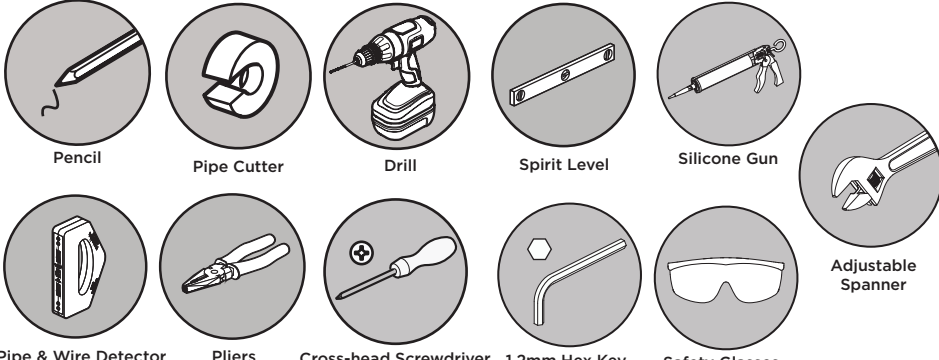
- Remove all packaging and check the contents for damage before starting any installation.
- Fitting isolation valves to the inlet feeds is required as close as is practical to the inlet connections for ease of maintenance.
- Always switch off the power at the consumer unit and isolate the electrical supply before making any electrical connections or if you have to remove the cover of the Control Panel.
- This product must not be modified in any way as this will invalidate the guarantee.

# Specifications

| Specifications  | Inlet Water Temperature   | Inlet Connection  |
|---|---|---|
| <p><b>Working Pressures</b></p> <p>Min: 0.1 MPa (1 bar)      Max: 0.6 MPa (6.0 bar)</p>  <p><b>Maximum Static Pressure:</b><br/>1.0 Pa (10.0 bar)</p> | <p><b>Cold Water Supply</b></p>  <p><b>Hot Water Supply</b></p>  | <p>1/2" BSP Male Threaded</p>  <hr/> <p><b>Outlet Connection</b></p> <p>1/2" BSP Male Threaded</p>  |

| Recommended Usage   | Pack Contents  |
|---|--|
| <p><b>Domestic</b>      <b>Heavy Commercial</b>      <b>Light Commercial</b>      <b>Healthcare</b></p> <p>                  </p> |  |

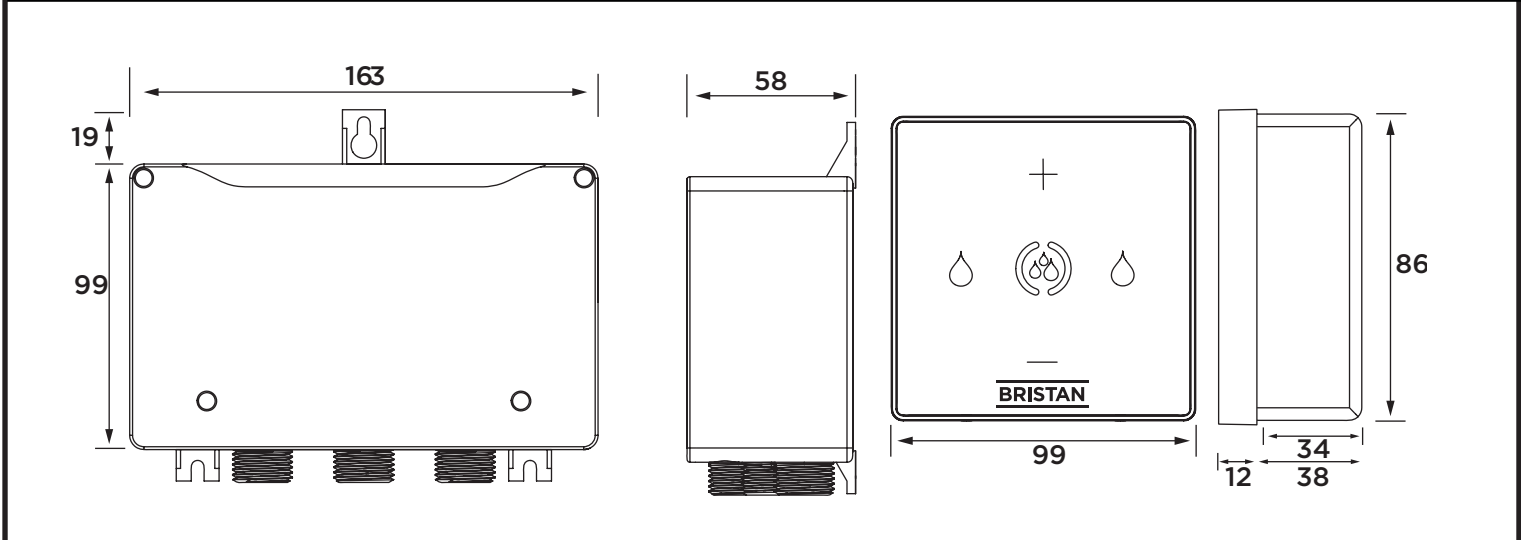
### Tools You'll Need



Pencil      Pipe Cutter      Drill      Spirit Level      Silicone Gun      Adjustable Spanner

Pipe & Wire Detector      Pliers      Cross-head Screwdriver      1.2mm Hex Key      Safety Glasses

## Measurements



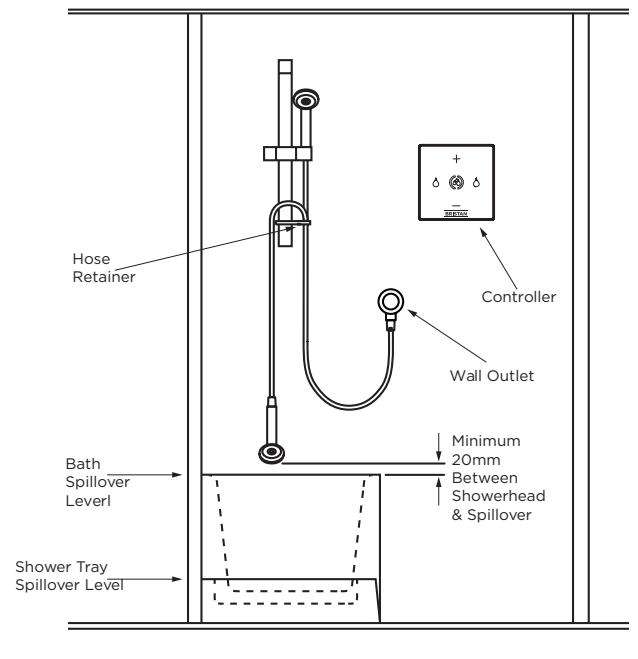
# Water Requirements

This fitting needs to be installed in accordance with the following Installation Requirements and Notes (IRN) to ensure they meet the requirements of the Water Supply (Water Fittings) Regulations 1999 and the Scottish Byelaws 2014.

The fitting shall be installed so that its outlet discharges above the spill-over level of any fixed appliance as indicated on the illustration to the right.

For backflow protection in premises or installations up to, and including Fluid Category 3 and 5.

The vertical distance of the outlet above the spill-over level shall be not less than 20mm or twice the diameter of the inlet pipe to the fitting, whichever is the greater. If the fitting cannot be installed as indicated it shall be installed with a backflow prevention arrangement suitable for the Fluid Category.



If the shower is to be installed in a hard water area, we recommend that an in-line scale inhibitor is fitted which will prolong the life of the shower. Please refer to your supplier for advice.



**Warning:** The shower must not be installed in an area subject to freezing conditions. Do not use if you suspect the shower is frozen, this will damage the shower unit.

Maximum ambient temperature: 40°C.

A minimum working inlet pressure of 0.1MPa (1bar) at a minimum flow rate of 10 litres per minute is recommended for full performance.

The maximum static inlet pressure must not exceed 1.0MPa (10bar).

The shower must be connected to a mains water supply only with a minimum working inlet pressure of 0.1 MPa (1bar) at a minimum flow rate of 10 litres per minute. The maximum static inlet pressure must not exceed 1.0MPa (10bar).

If it is intended to operate the shower at pressures above the maximum stated, a suitable pressure reducing valve (PRV) should be used.

Water regulations stipulate that the shower head be 'constrained by a fixed or sliding attachment (hose retainer) so that it can only discharge water at a point not less than 20mm above the spill over level of the bath or shower tray or other fixed appliance'.

If a shower head can sit within a bath, basin or shower tray, you must fit a double check valve in the supply pipe work to prevent back siphonage. If the shower head can sit within a WC then the air gap should be a type AUK3 not less than 20mm or twice the diameter of the inlet pipe to the fitting, whichever is greater.

As this shower unit is already supplied with a single check valve pre-fitted in each water supply inlet, a further single check valve would be required in such a situation, fitted in each water supply as close as possible to the existing check valves.

# Water Connections

## Plumbing Connections



**Warning:** Do not solder within 300mm of the Mixing Valve or allow solder or flux to fall onto the casing.



**Important:** An additional independent stop valve complying with the current water regulations must be fitted in the mains water supply as a means of isolating the supplies to the Mixing Valve for servicing and/or maintenance work.

It is essential that all pipe work is flushed through to remove debris and swarf that could otherwise damage the unit. Once the pipe work has been flushed through, turn off the water supplies at the stop/service valves.

The supplied filter washers supplied **must** be fitted into both inlets.

The connecting pipe work must present 1/2 BSP connectors to the male thread on the inlet connections.



**Important:** The pipe work must run as straight as possible to the Mixing Valve minimising 90° angled bends as this could affect the inlet pressure to the Mixing Valve reducing performance.

## Pumped Inputs

It is possible to use a pump to boost a low pressure system to meet the inlet requirements.

**Note:** The pump must be a Bristan Twin-End Negative Head Pump - ST NHPUMP 18TN.

Pump installation must be in accordance with the Fitting Instructions supplied with the pump.

The Negative Head Pump is required to maintain the 0.5 bar minimum static pressure requirement.

# Electrical Requirements

Power Rating: 240V AC / 12V DC

The Electrical Installation and Circuit Protection of this shower must comply with current I.E.E Wiring Regulations (BS 7671) and Building Regulations (Part P).

All products manufactured and supplied by Bristan are safe provided they are installed, used correctly and receive regular maintenance in accordance with these instructions.

This product must not be modified in any way as this will invalidate the guarantee.

Ensure an electric socket is near the place of installation and can be reached by the power cord. If a socket needs to be installed, please seek the services of a qualified electrician.



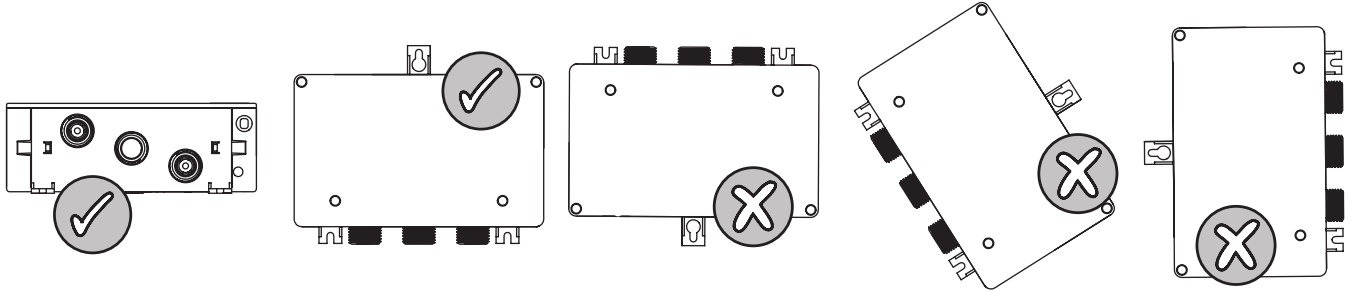
**Warning:** Only the power adaptor supplied with this product must be used

If you are in any doubt about your ability to install this product safely please seek the services of a qualified plumber.

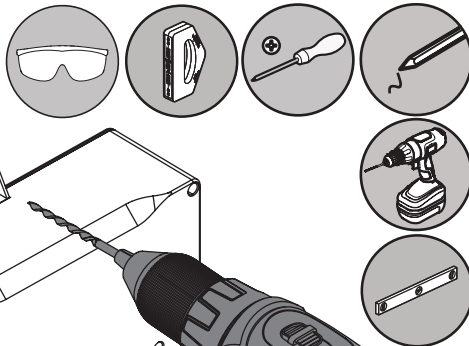


# Installation - Mixer Unit

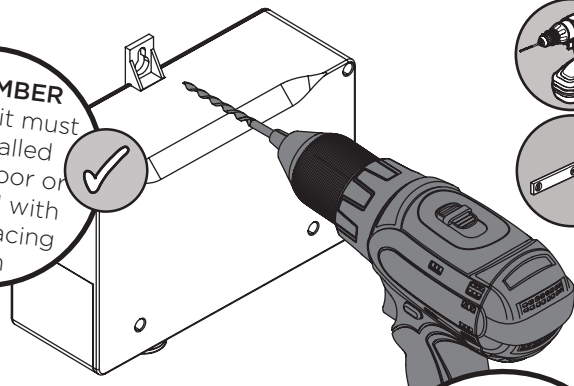
## Mounting



1



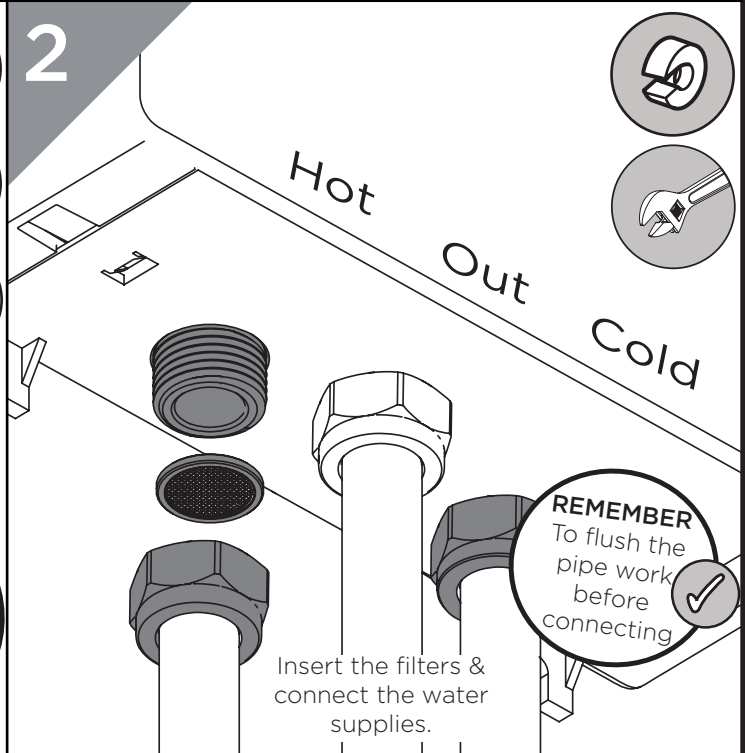
**REMEMBER**  
Mixer unit must be installed flat on floor or on a wall with outlets facing down



**IMPORTANT**  
Rear access will be required for future service and maintenance.

Find a suitable place for the mixer unit. It must be no further than 1.2m away from a socket & no further than 3m from where the interface unit will be installed. Mark hole & drill, fix the mixer unit to surface using suitable screws (not supplied).

2



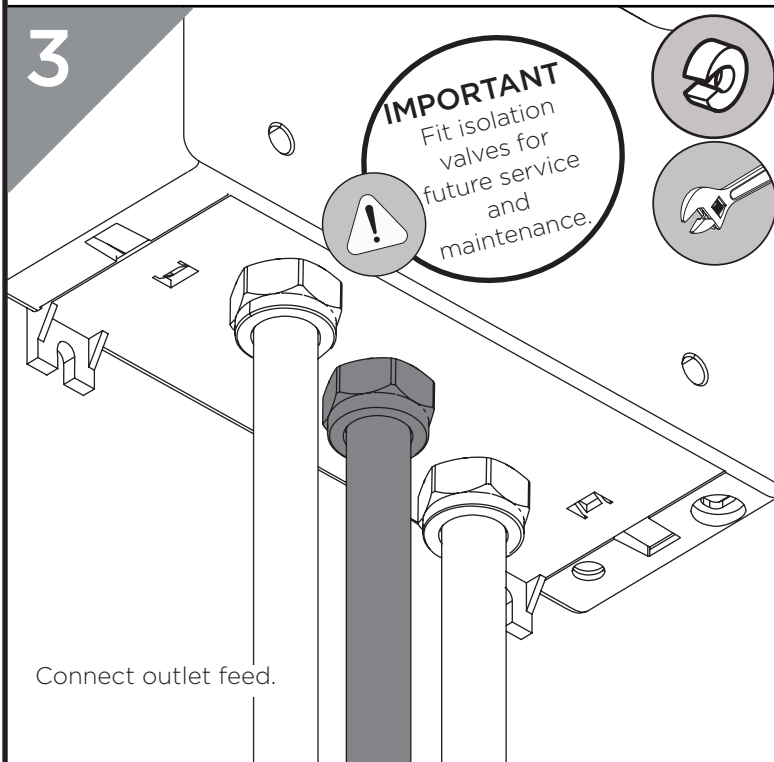
**REMEMBER**  
To flush the pipe work before connecting

Insert the filters & connect the water supplies.

3



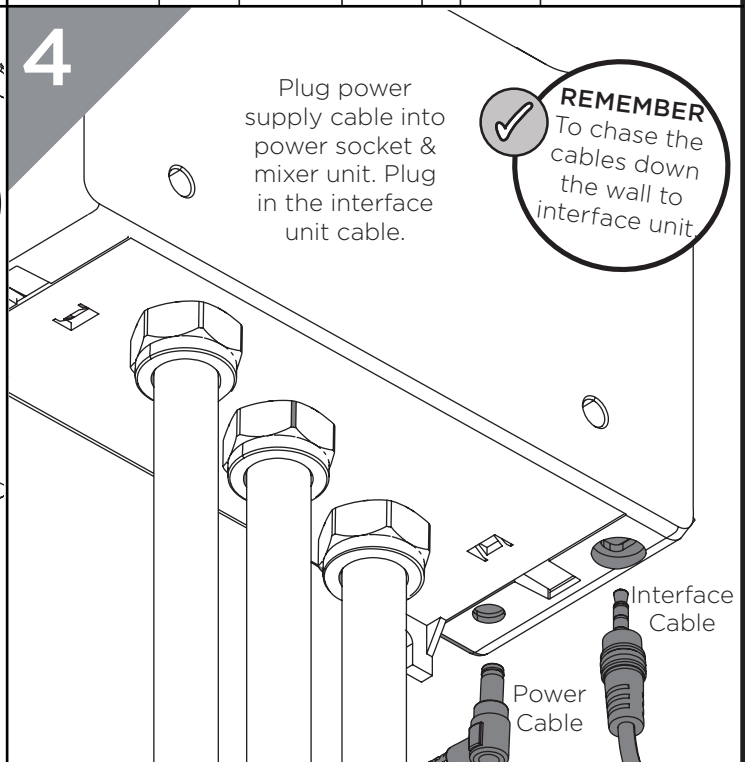
**IMPORTANT**  
Fit isolation valves for future service and maintenance.



Connect outlet feed.

4

**REMEMBER**  
To chase the cables down the wall to interface unit



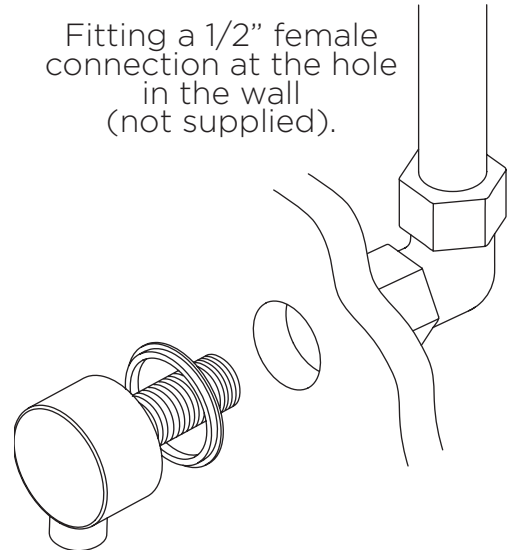
Plug power supply cable into power socket & mixer unit. Plug in the interface unit cable.

# Installation - Wall Outlet

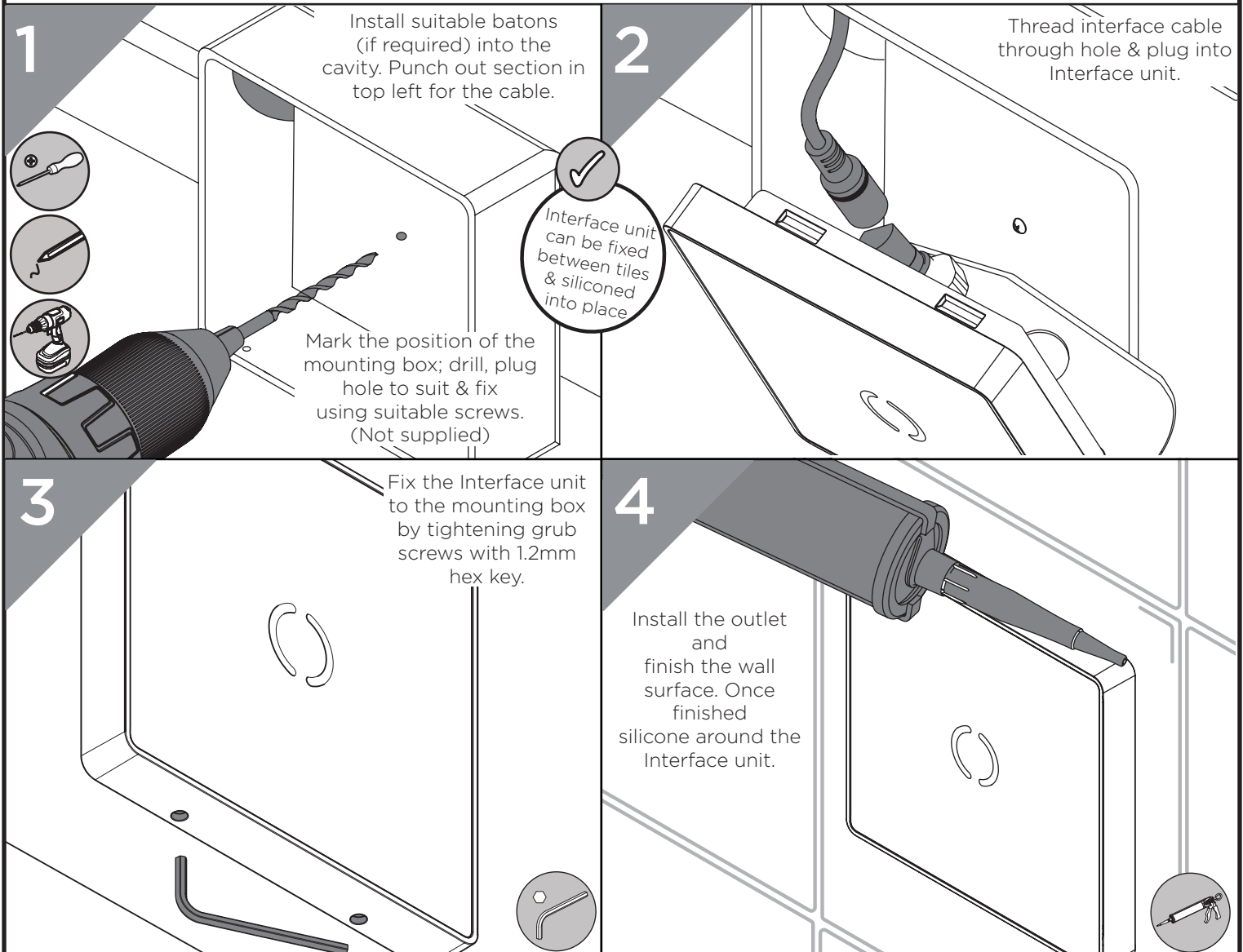
Choose the location for the wall outlet and create a 25-30mm hole in the wall. Ensure your shower accessories have enough reach from that position.

Screw the wall outlet into the 1/2" female connection, using a suitable thread sealant ensuring the rubber seal is fitted to the back of the wall outlet.

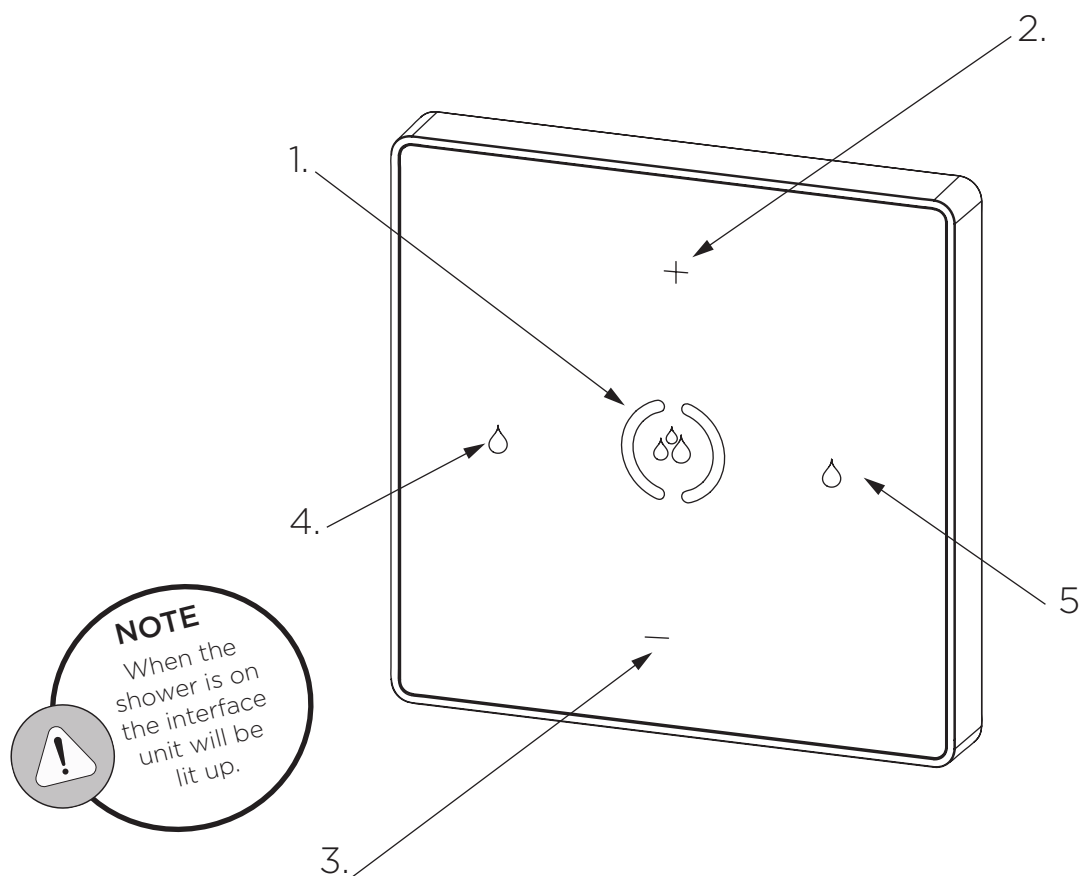
Fitting a 1/2" female connection at the hole in the wall (not supplied).





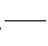


# Installation - Interface Unit



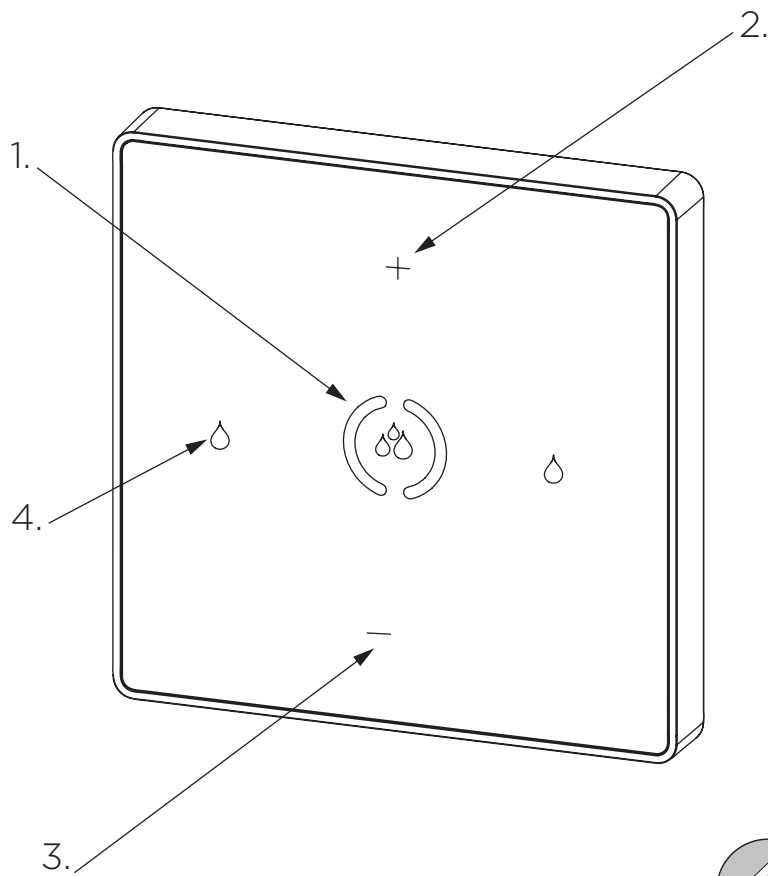
# Operating the Shower



## On Mode





1.  **Pause** - Press once to pause for 5 minutes, for memory setting press and hold.
2.  **Increase Flow Rate** - To increase the flow rate by 1lpm press once, to continuously increase the flow rate press and hold.
3.  **Decrease Flow Rate** - To decrease the flow rate by 1lpm press once, to continuously decrease the flow rate press and hold.
4.  **Increase Temperature** - To increase the temperature by 1°C press the red droplet once, to continuously increase the temperature press and hold.
5.  **Decrease Temperature** - To decrease the temperature by 1°C press the blue droplet once, to continuously decrease the temperature press and hold.

# Operating the Shower

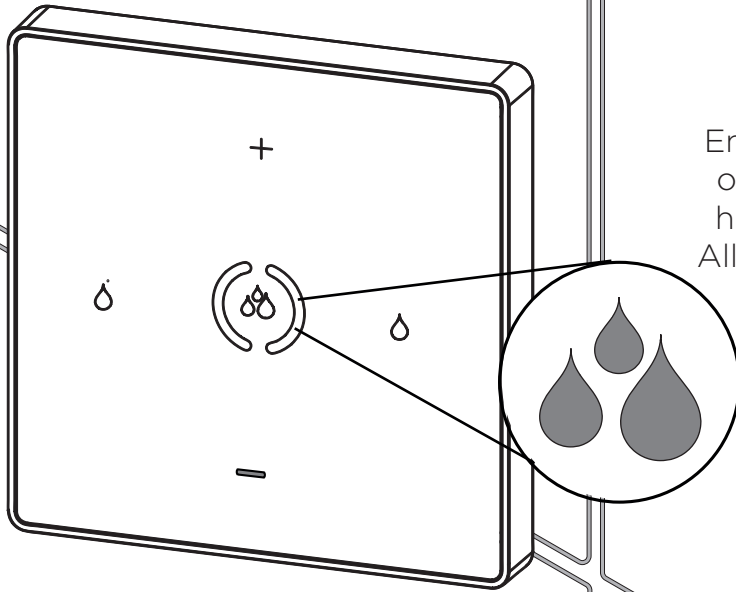


**NOTE**  
When the shower is off the interface unit will not be lit up.

## Off Mode (User Setting Memory/Cleaning)

1.  **Start** - Press once, for start up press and hold.
2.  **Maximum Flow Rate** - Press once.
3.  **Eco Flow Rate** - Press once, for cleaning function press and hold.
4.  **Thermal Disinfection** - Press and hold right droplet.

# System Set Up



Ensure the shower is in off mode, Continually hold the Start button. Allow the shower to run water through.

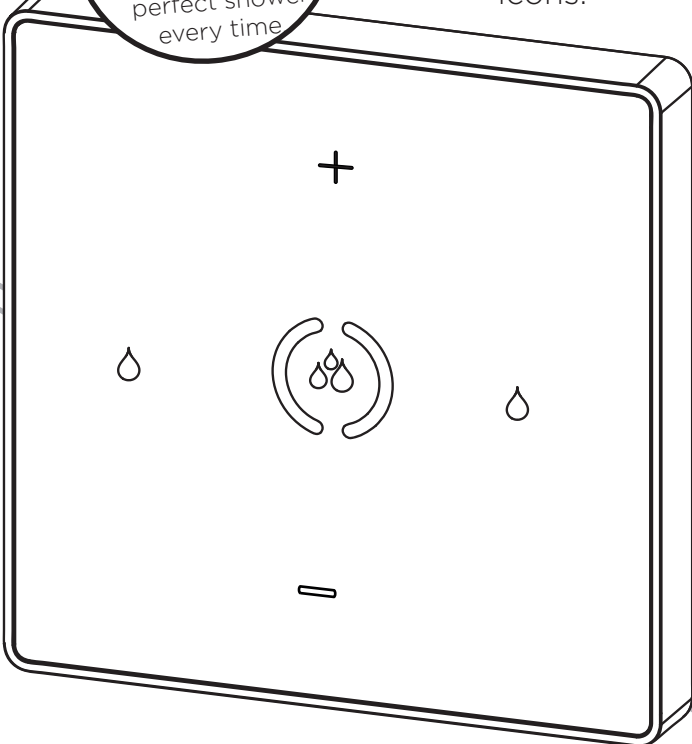
# User Customisation

1

**NOTE**

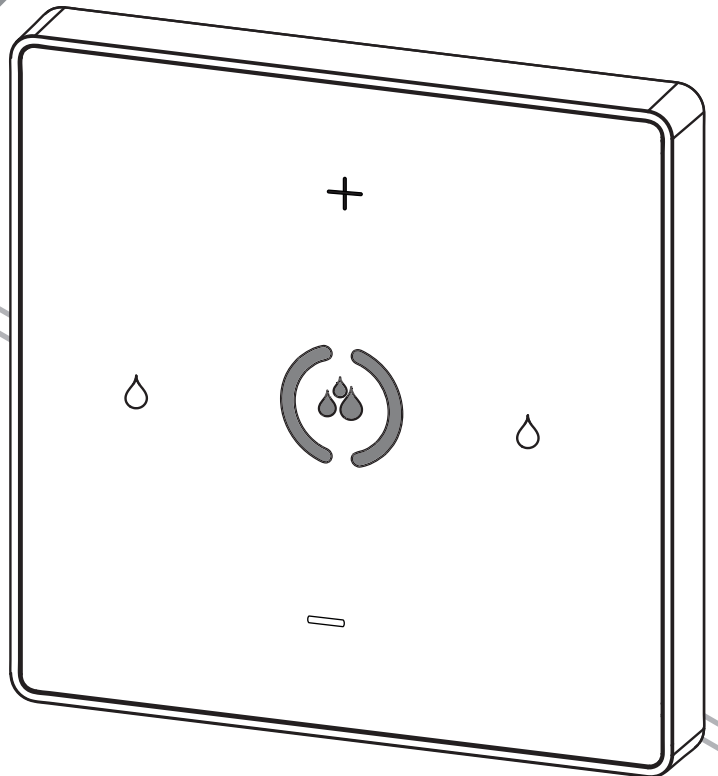
This shower has a memory setting so you can have the perfect shower every time

Whilst the shower is on select the desired flow, temperature using the plus, minus & droplet icons.



2

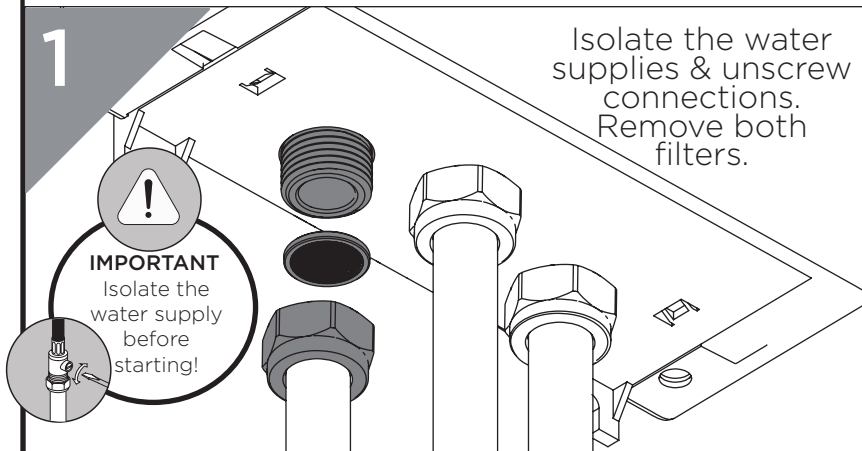
Press & hold the On/Off button until the control keys light up to save settings.



# Maintenance

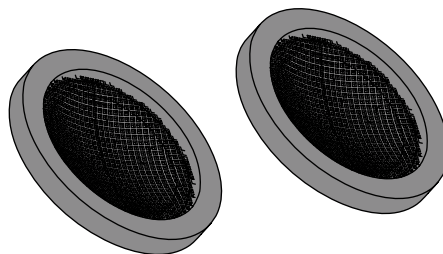
## Filters

1



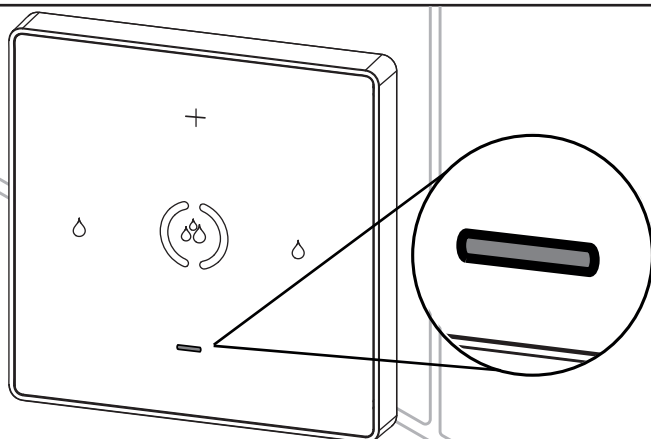
2

Clean filters under cold running water & reverse step 1.



## Monthly Cleaning Program

1

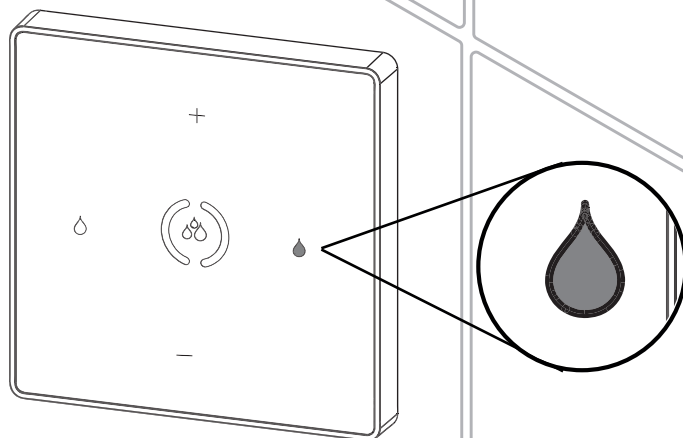


Ensure the shower is in off mode, continually hold the minus button. Leave shower to clean itself.

## Thermal Disinfection

1

Ensure the shower is in off mode, continually hold the right hand droplet button. Thermal disinfection takes 5 minutes.



## General Cleaning

Do not use abrasive cleaners or solvents to clean this unit. The interface unit should be cleaned with a soft, clean, damp cloth.

## Guarantee

At Bristan, we want to make things as easy as possible for our customers. That's why we offer solid guarantees on all our products, effective from the date of purchase, to give you peace of mind.

To start your free guarantee simply scan the QR code and register your product.  
Alternatively visit [www.bristan.com/register](http://www.bristan.com/register).



For any other queries, please call our Customer Service on 0330 026 6273 where our expert team of advisors will be able to offer you any help and advice.

For full guarantee terms and conditions visit [www.bristan.com/guarantees](http://www.bristan.com/guarantees).

## Spare Parts

To replace any spare parts for your shower why not scan the QR code and search for your product.



Issue: B

Part Number: WV DVO BC

---

# BRISTAN

---

**Bristan Group Ltd.**

Birch Coppice Business Park

Dordon

Tamworth

Staffordshire

B78 1SG

**Web:** [www.bristan.com](http://www.bristan.com)

**Email:** [enquire@bristan.com](mailto:enquire@bristan.com)