

BRISTAN

Installation Instructions & User Guide

Please leave these instructions with the end user

Product Code: RAP SCALE FILT KIT (D1)

Prior to Installation

Please refer to the Gallery Rapid instructions for full information and safety requirements to install your Boiling Water Tap.

This product must not be modified in any way as this will invalidate the guarantee. The filter cartridge must also be replaced every six months to ensure adequate performance of your Boiling Water Tap and maintain the guarantee. Full access must be made available for future maintenance/servicing purposes.

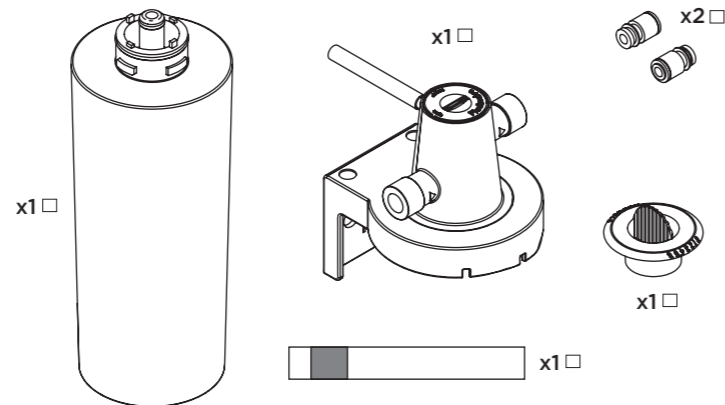
Before drilling into walls, check that there are no hidden electrical wires, cables or water supply pipes. This can be checked with the aid of an electronic detector.

If power tools are used do not forget to:
 - Wear eye protection
 - Unplug equipment after use

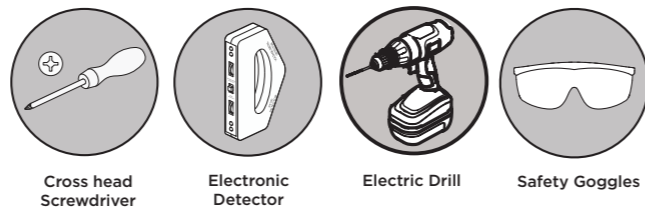
If in doubt, contact a registered plumber or your Local Water Authority or the Secretary of the Institute of Plumbing, address as follows:-

The Institute of Plumbing,
 64 Station Lane,
 Hornchurch,
 Essex,
 RM12 6NB, Tel: 01708 472791

Pack Contents



Tools You'll Need

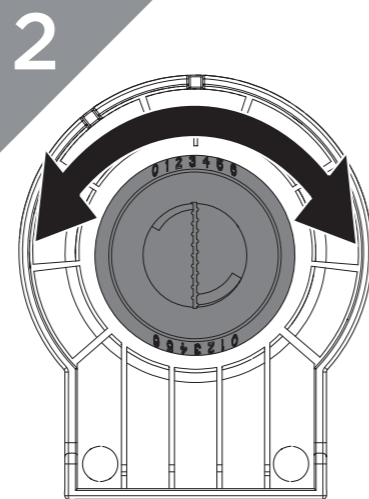


Filter Commissioning



1 Draw a small amount of cold water. Using the test strip provided, dip into the water for 3 seconds and wait for 20 seconds to develop.

Once developed, match the test strip results to the colour block on the back of the test strip packet.

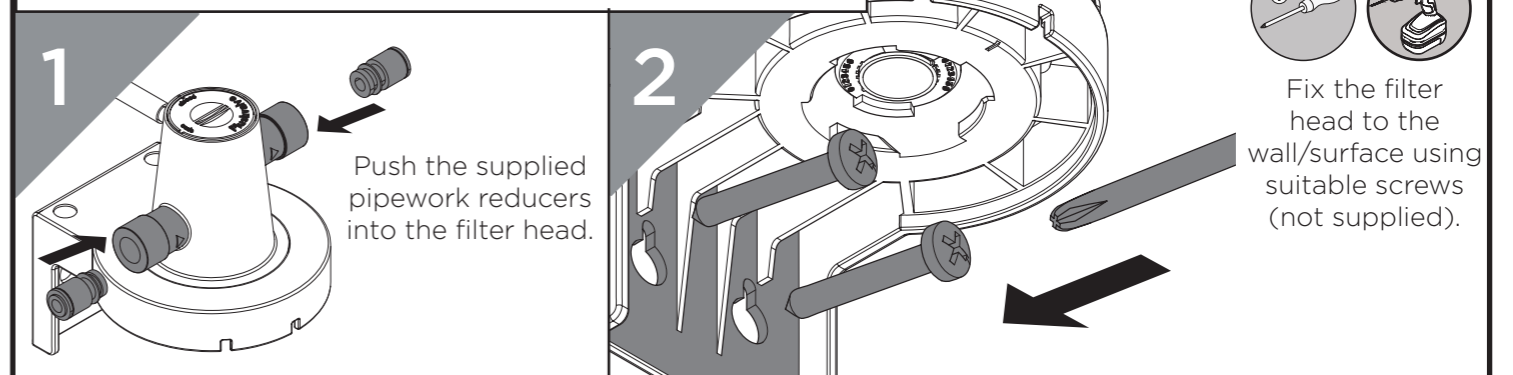


2 Using the result of the water test carried out in Step 1, push and turn the pre-fitted blue key to the required filter setting.

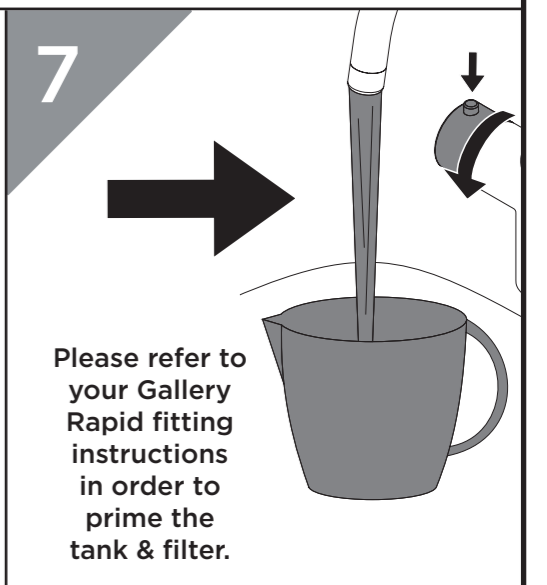
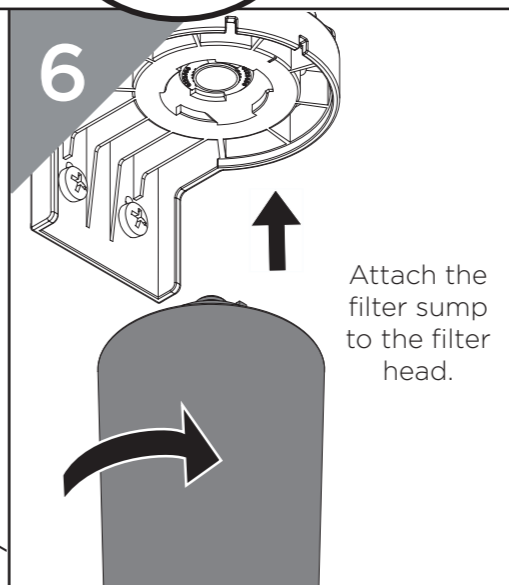
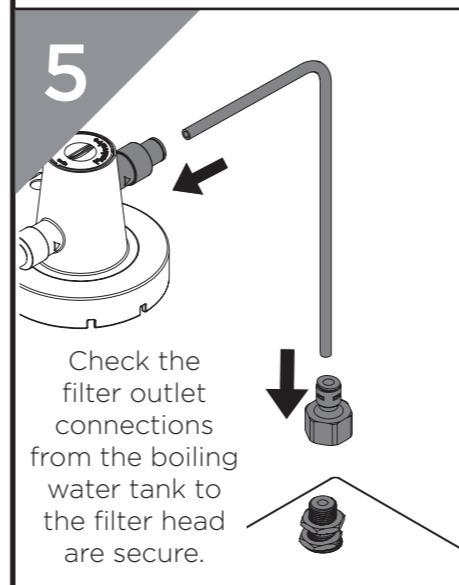
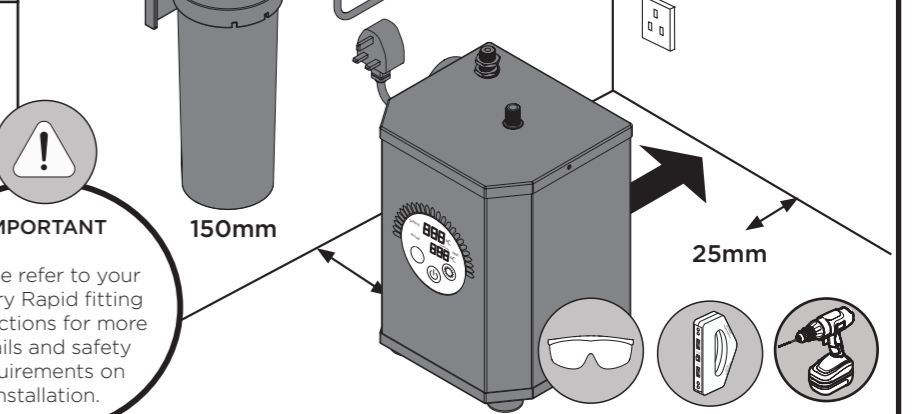
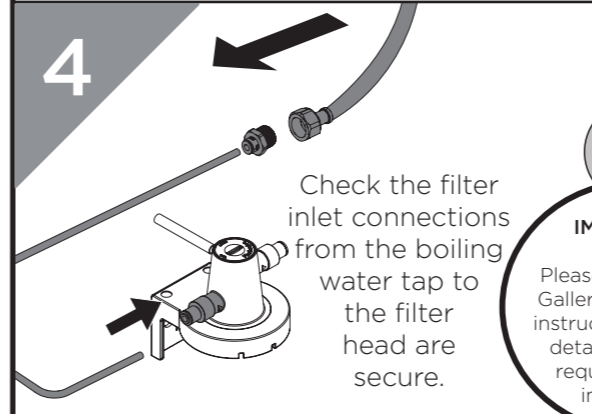
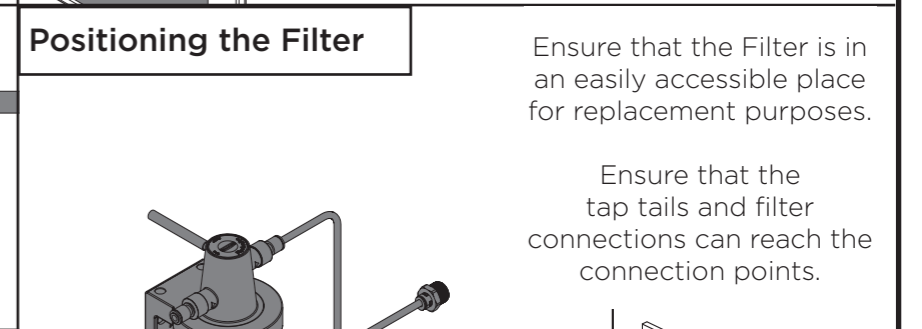
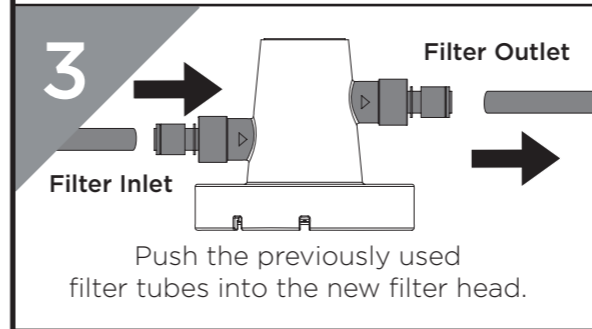
The key must then be removed from the filter head and kept for future adjustment.

Test Strip Colour	Yellow	Dark Yellow	Orange	Dark Orange	Red	Dark Red	Very Dark Red
Alkalinity Measurement (PPM)	0	50	120	180	250	425	1000
Filter Setting	6	5	4	3	2	1	0

Installation - 3-in-1 Boiling Water Taps



Fix the filter head to the wall/surface using suitable screws (not supplied).



Notes

Can't find your old booklet?

Visit www.bristan.com and search for your product to find your documents or any available spare parts.



Installation - 4-in-1 Boiling Water Taps

1

Push the supplied pipework reducers into the filter head.

2

Fix the filter head to the wall/surface using suitable screws (not supplied).

3

Push the previously used filter tubes into the new filter head.

Filter Inlet

Filter Outlet

Positioning the Filter

Ensure that the Filter is in an easily accessible place for replacement purposes.

Ensure that the tap tails and filter connections can reach the connection points.

4

Check the filter outlet connection from the boiling water tank to the filter head is secure.

Filter Outlet

IMPORTANT

Please refer to your Gallery Rapid fitting instructions for more details and safety requirements on installation.

150mm

25mm

5

Check the filter inlet connections from the PRV to the filter head are secure.

Filter Inlet

Cold Water Supply

6

Attach the filter sump to the filter head.

7

Please refer to your Gallery Rapid fitting instructions in order to prime the tank & filter.

Notes

Can't find your old booklet?

Visit www.bristan.com and search for your product to find your documents or any available spare parts.

Maintenance - Changing Filter

1

Switch off the Boiling Water Tank.

2

Isolate the water supply and draw off all remaining water.

4

Dispose of the old filter and replace with the new filter.

5

Please refer to your tap fitting instructions in order to prime the tank & filter.

6

Then refer to your tap fitting instructions in order to set up your boiling water tank.

3

Place a small bowl underneath the filter sump and remove it.

IMPORTANT

Your filter cartridge must be replaced **every six months** to ensure adequate performance and maintain the guarantee.

Maintenance Schedule

We have included this maintenance schedule in order to help keep track of when to replace your filter; which can be ordered using **RAP SCALE FILT** on the Bristan website. Please ensure your plumber fills in the date of installation.

Date Installed/Replaced	Date Due for Replacement
___/___/___	

At Bristan, we want to make things as easy as possible for our customers. That's why we offer solid guarantees on all our products, effective from the date of purchase, to give you peace of mind.

To start your free guarantee simply scan the QR code and register your product. Alternatively visit www.bristan.com/register.

For any other queries, please call our Customer Service on 0330 026 6273 where our expert team of advisors will be able to offer you any help and advice.

For full guarantee terms and conditions visit www.bristan.com/service-centre/guarantees.

We Know & We Care