

BRISTAN

TAPS & SHOWERS

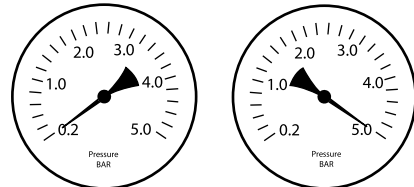
Installation Instructions & User Guide

Please leave these instructions with the end user

Product code: WMNT12 BLK (D1)

Specifications

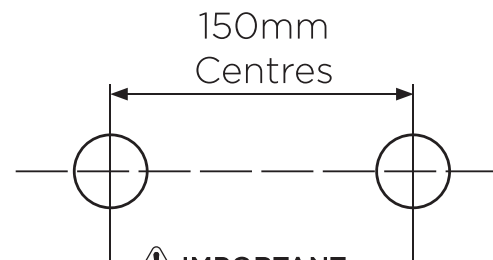
Dynamic Water Pressure



Min: 0.2 bar Max: 5.0 bar

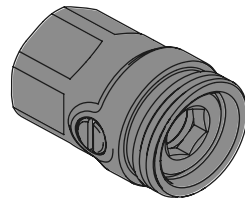
Maximum Static Pressure: 10.0 bar

Inlet Dimensions



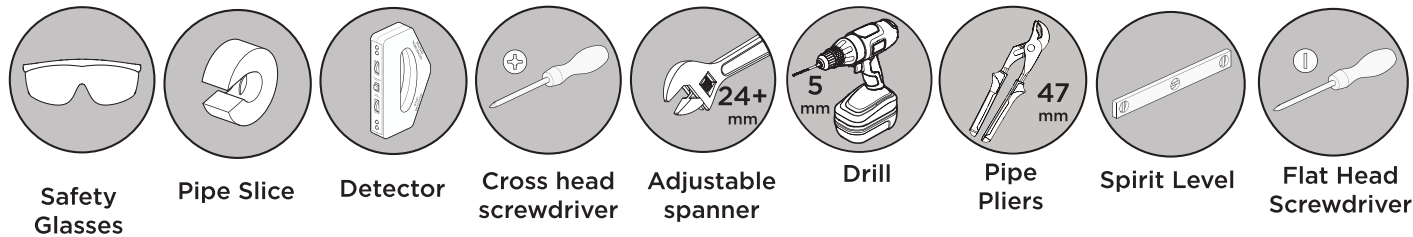
IMPORTANT
This product is only suitable for use with 15mm copper pipework.

Inlet Connections



1/2" Compression

Tools You'll need



Prior to Installation

All products manufactured and supplied by Bristan are safe to use provided that they are installed, operated and receive regular maintenance in accordance with these instructions.

This product needs to be installed in accordance with, and meet the requirements of The Water Supply (Water Fittings) Regulations (Northern Ireland) 2009 and The Water Supply (Water Fittings) (Scotland) Byelaws 2014.

For full Installation Requirements & Notes (IRN) please visit www.wrasapprovals.co.uk/approvals-directory

Before installing this product the water supply must be thoroughly flushed in order to remove any swarf, solder etc.

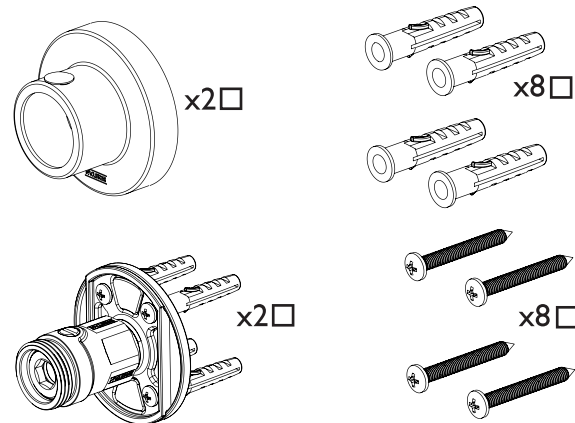
Full access must be made available for future maintenance/ servicing purposes. Isolation valves must be fitted to the inlet water supplies to ensure ease of future maintenance.

Before drilling into walls, check that there are no hidden electrical wires, cables or water supply pipes. This can be checked with the aid of an electronic detector. If power tools are used do not forget to:

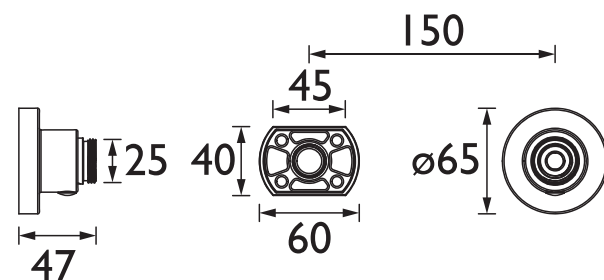
- Wear eye protection
- Unplug equipment after use

This product must not be modified in any way as this will invalidate the guarantee.

Pack Contents



Dimensions (mm)



Installation

PLEASE NOTE - Wall Mounts shown in these instructions are for illustration purposes only. WMNT12 and WMNT12 SQ can be fitted using these instructions.

1

Ensure the pipework is level and exactly 150mm distance apart - measure between the center of each pipe. Place the rubber gasket over the pipes and against the tiled surface. Mark holes for drilling. Mark pipes for cutting length using a pipe cutter. Drill holes and cut pipes

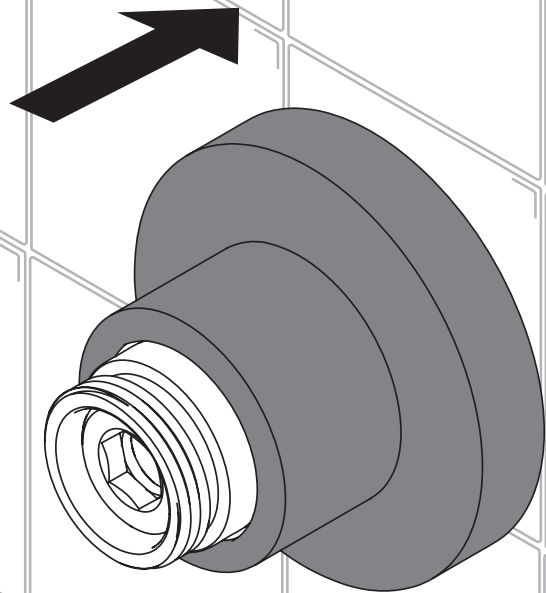
2

Use wall plugs in drilled holes. Push rubber gaskets over pipes and against the tiled surface. Push brass backplates over pipes and back against rubber gaskets. Secure in place using screws and cross head screwdriver. CAUTION: do not over tighten screws as this may cause tiles to crack.

3

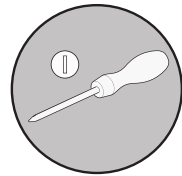
Insert olives over pipes and push back against brass backplates. Manually thread on isolating connector and get finger tight. Then gripping backplate with pipe pliers (to reduce the rotational force on the backplates) whilst at the same time using a suitable spanner on the isolating connector, create the olive connection by tightening clockwise.
CAUTION: backplate must be gripped and held steady whilst making olive connection otherwise tiles may be cracked

4



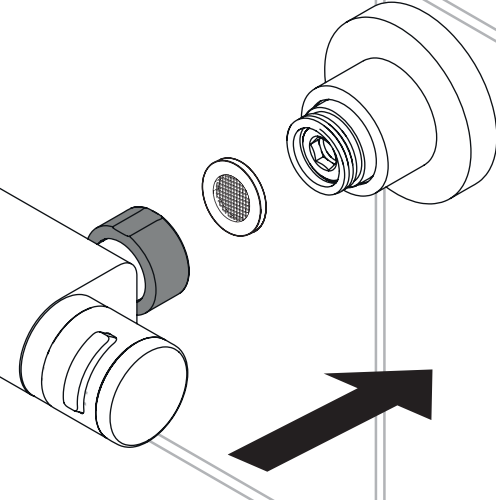
Using a bucket, flush both pipes by using flat head screwdriver on the isolation ball valve and gradually opening the valve. Once complete close isolation valves.

Then place finished cover shrouds over each wall outlet and push back to wall over the rubber gaskets, and rotate so the hole aligns with the isolation valve screw.



5

REMEMBER
To service your product!



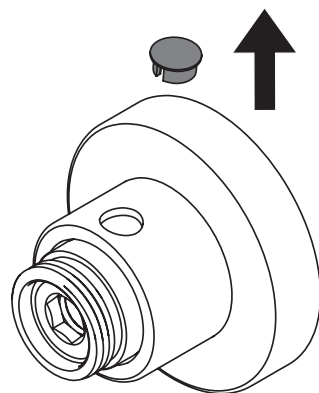
Insert the filter washers (supplied with shower) into the back nuts on the shower valve before screwing onto the wall outlets using an adjustable spanner. CAUTION: To reduce risk of scratching the chrome shower nuts using spanner, a cloth can be used over the nut before placing the spanner on top.

Once tight, use flat head screwdriver to open isolation valves. Use chrome plugs to fit in isolation access holes. Check for leaks. Check working operation of the shower valve.



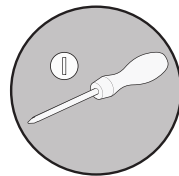
Isolation

1



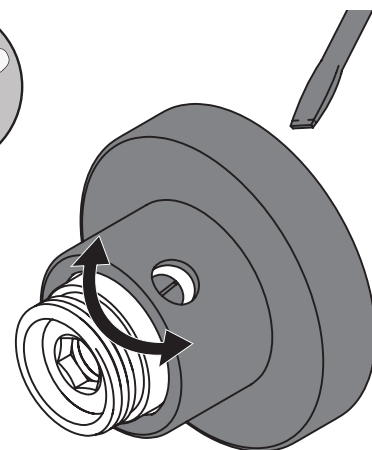
Remove the concealing cap from the shroud.

2



Rotate the shroud until the opening aligns with the isolation screw.

Turn the screw to isolate the water. Reverse the process when turning the water back on.



General Cleaning

Bristan products are made from premium materials, with hand polished, PVD, EPD or electroplated finishes.

Your bar shower should be regularly cleaned with warm water, a mild pH-neutral liquid soap, and polished with a soft cloth. Any residues from soap, toothpaste, shampoos and shower gels can cause blemishes if not rinsed off straight after use.

Household bleaches and cleaners contain harsh chemicals and may damage the surface finish. Avoid using abrasive cloths, scouring pads, scrub sponges, steel wool or anything similar. Some surfaces such as nickel and pewter may be affected by the dye found in some cloths, so it is also important to avoid hanging cloths on fittings/barshowers etc.

Notes

At Bristan, we want to make things as easy as possible for our customers. That's why we offer solid guarantees on all our products, effective from the date of purchase, to give you peace of mind.

To start your free guarantee simply scan the QR code and register your product. Alternatively visit www.bristan.com/register.

For any other queries, please call our Customer Service on **0330 026 6273** where our expert team of advisors will be able to offer you any help and advice.

For full guarantee terms and conditions visit www.bristan.com/service-centre/guarantees.

