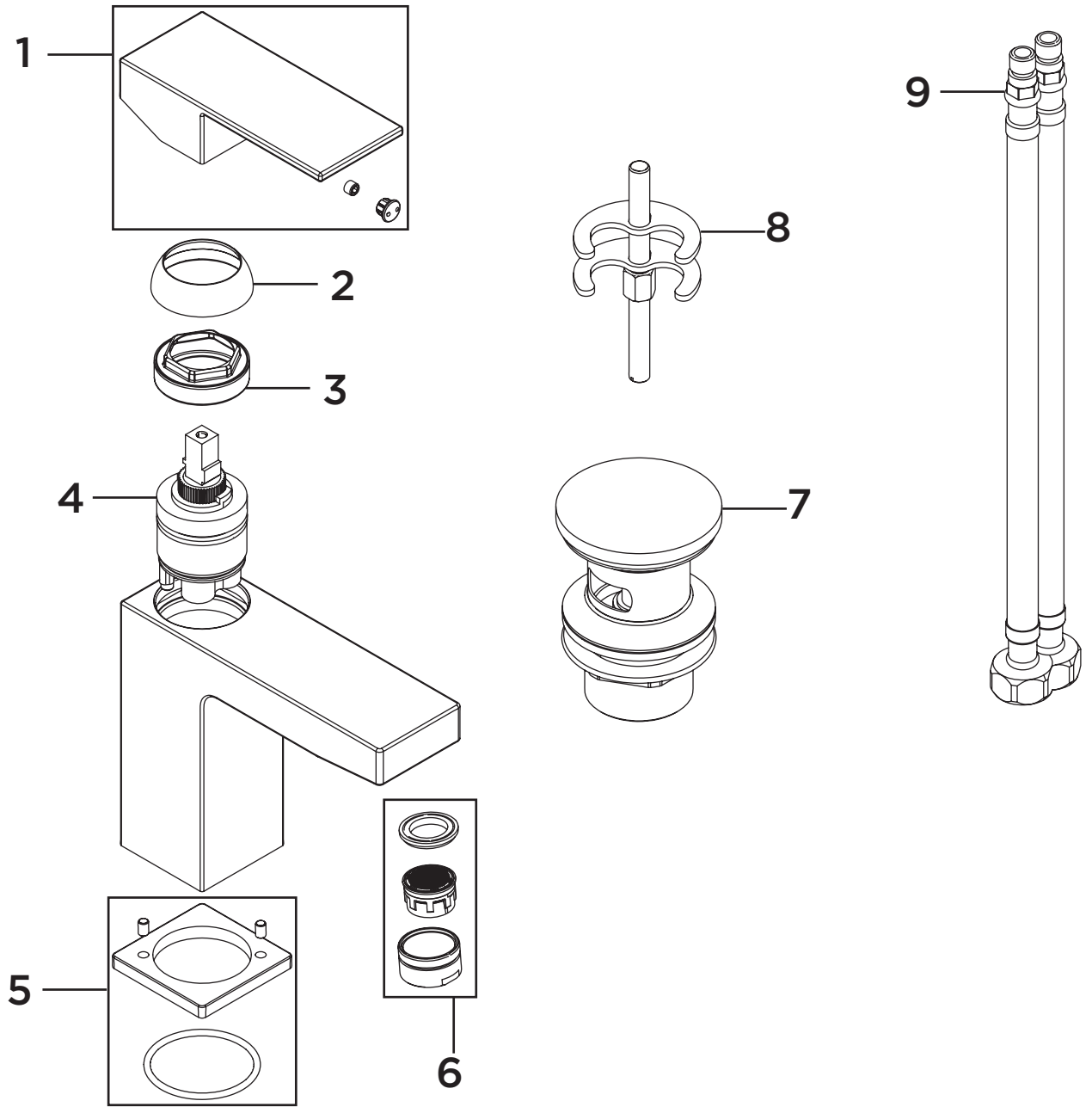


Product Code: QB BAS C
Revision: D1



1	Handle Assembly
2	Shroud
3	Cartridge Retaining Nut
4	Cartridge
5	Plinth and washer
6	5lpm M24 Aerator
7	Clicker Waste
8	Fixing Kit
9	1/2" BSP Flexible Tails (Pair)