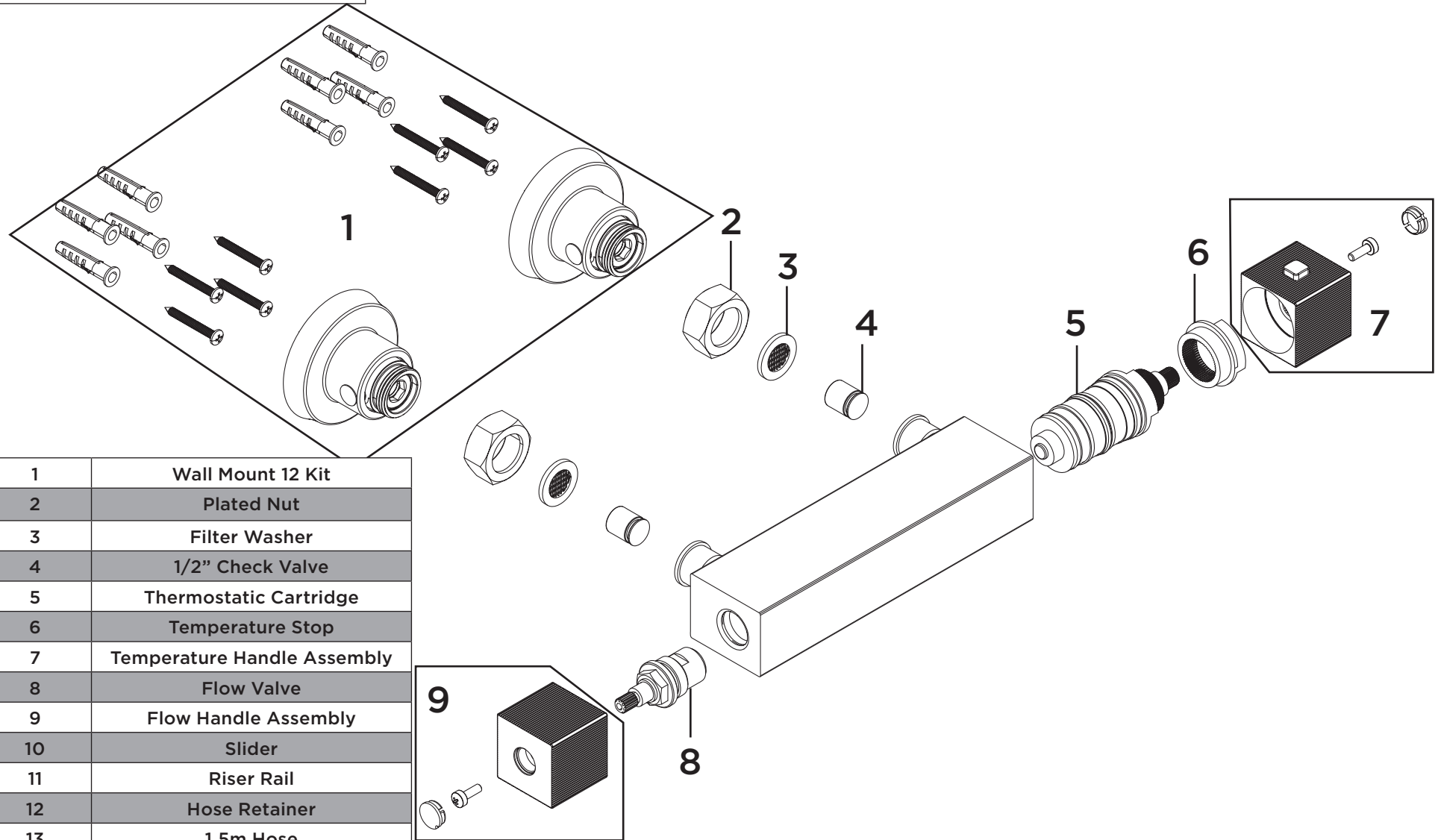


Product Code: QD SHXSMFF C

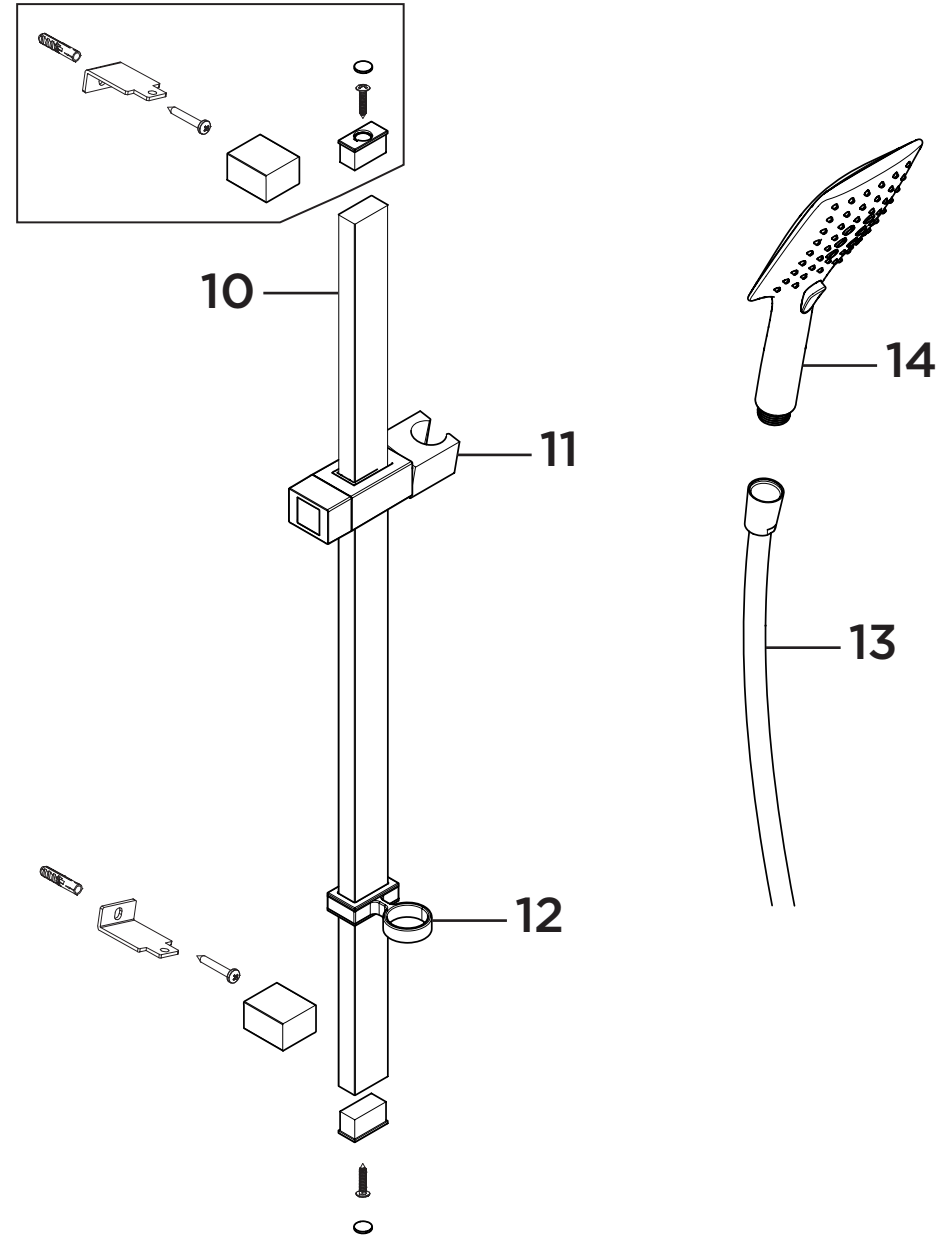
Revision: D4



1	Wall Mount 12 Kit
2	Plated Nut
3	Filter Washer
4	1/2" Check Valve
5	Thermostatic Cartridge
6	Temperature Stop
7	Temperature Handle Assembly
8	Flow Valve
9	Flow Handle Assembly
10	Slider
11	Riser Rail
12	Hose Retainer
13	1.5m Hose
14	Handset

Product Code: QD SHXSMFF C

Revision: D4



1	Wall Mount 12 Kit
2	Plated Nut
3	Filter Washer
4	1/2" Check Valve
5	Thermostatic Cartridge
6	Temperature Stop
7	Temperature Handle Assembly
8	Flow Valve
9	Flow Handle Assembly
10	Slider
11	Riser Rail
12	Hose Retainer
13	1.5m Hose
14	Handset