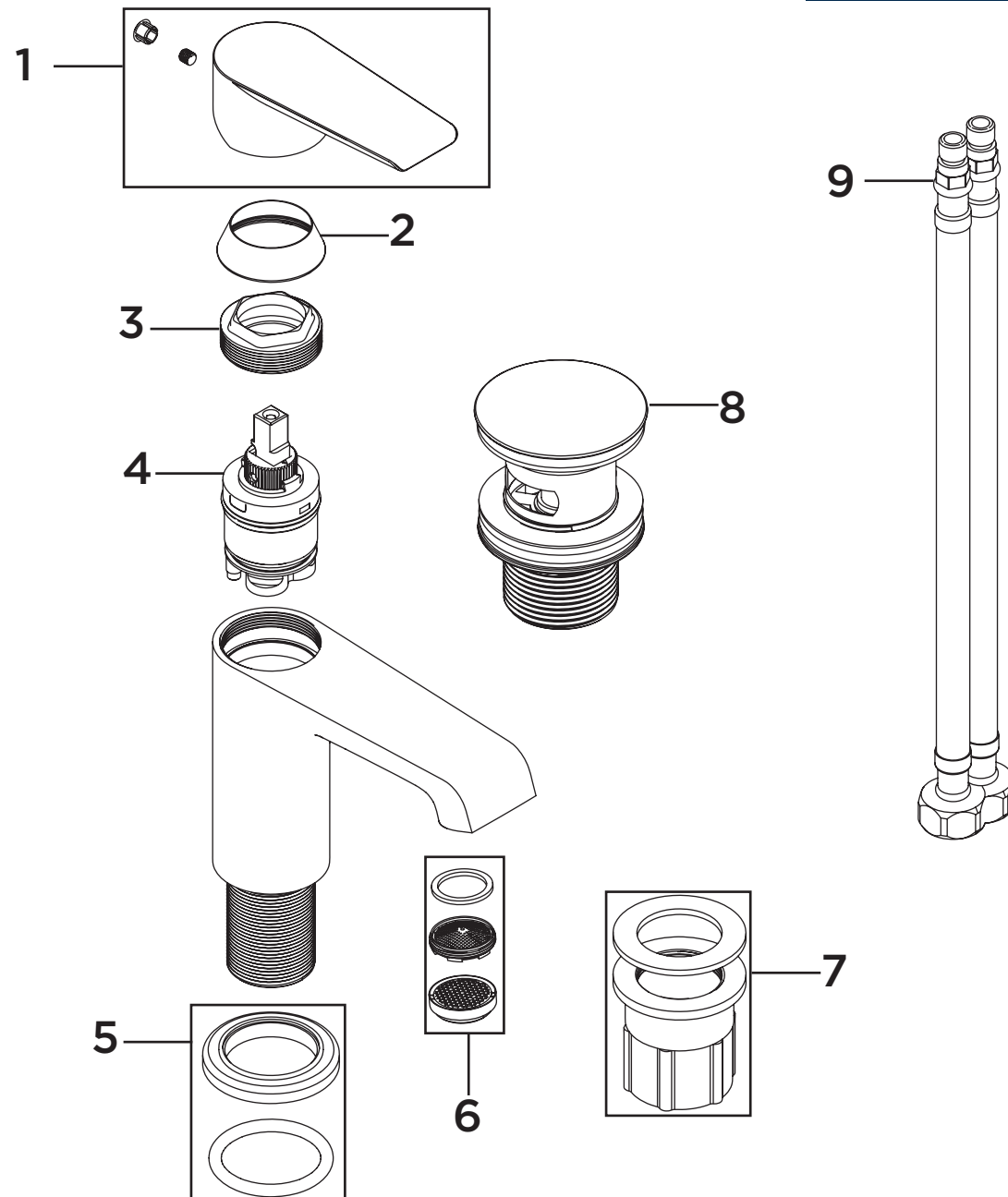


**Product Code:** PO BAS C  
**Revision:** D1



1	Handle Assembly
2	Shroud
3	Cartridge Retaining Nut
4	Cartridge
5	Plinth and washer
6	M24 Coin Slot Aerator
7	Fixing Kit
8	Clicker Waste
9	1/2" BSP Flexible Tails (Pair)