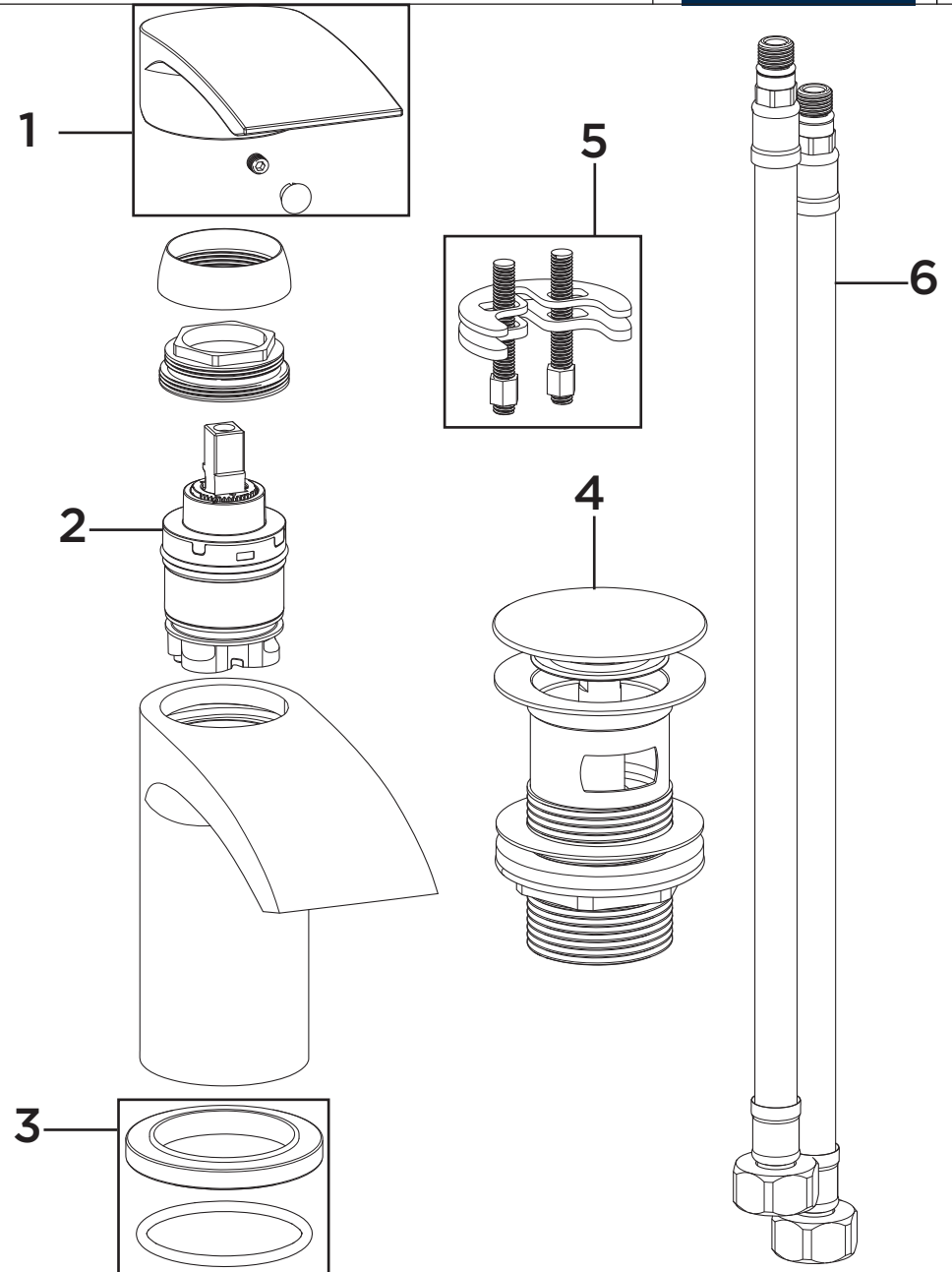


Product Code: GLD2 ES BAS C**Revision:** D1

1	Handle Assembly
2	Cartridge
3	Plinth and Seal
4	Clicker Waste (Slotted)
5	Fixing Kit (2 Rod)
6	Flexible Tails