

APL BSM BLK

APPEAL Tap Range Appeal Bath Shower Mixer Black



Features:

- Long life 1/4 turn ceramic disc valves for added durability and smooth control.
- Robust metal fixing nut to secure the tap in place reducing the risk of loosening over time.
- On-trend matt black finish to make a statement in your bathroom.
- Rub clean handset - limescale and debris build-up is quickly and easily removed by rubbing a finger or a cloth over the nozzles.
- 10-year parts and 1 year labour guarantee for peace of mind.
- Also available in chrome and brushed brass.
- Co-ordinating Bathroom taps available.

Product Certifications:



Kiwa Certification No: 2312719
Kiwa Expiry Date: 11/12/2028

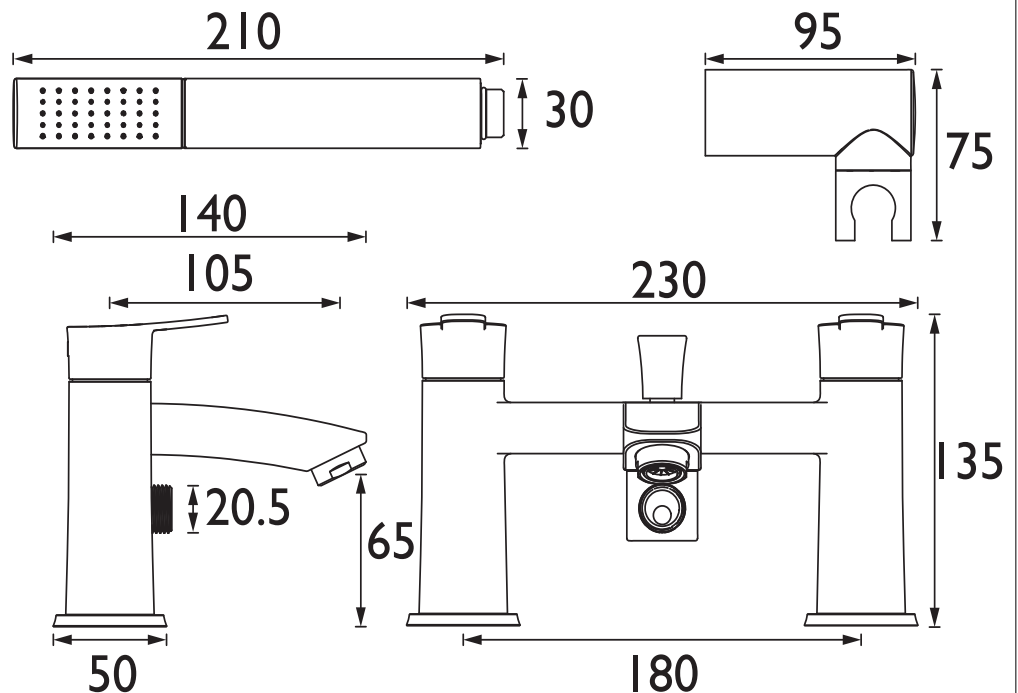
WRAS Certification No: 2312357
WRAS Expiry Date: 31/12/2028



Specification

| | |
|--|------------------------------------|
| Product Type: | Bathroom Taps |
| Main Construction Material: | Brass |
| Mount Type: | Deck |
| Handle Type: | Paddle Lever |
| Connection Inlet: | 3/4" BSP |
| Connection Outlet: | Housed M24 Aerator |
| Number of Tap Holes: | 2 |
| Valve/Cartridge Type: | 3/4" Short Stem Ceramic Disc Valve |
| Plumbing System Requirements: | Suitable for all plumbing systems |
| Minimum Dynamic Pressure (bar): | 0.3 bar |
| Maximum Dynamic Pressure (bar): | 5 bar |
| Maximum Hot Water Temperature °C: | 60°C |
| Maximum Static Pressure (bar): | 10 bar |
| Flow Type: | Single |
| Isolation Included: | No |

Dimensions (measurements in mm)



Flow Rates (l/min)

| System Pressure (bar) | 0.3 | 0.5 | 1 | 2 | 3 | 5 |
|-----------------------------|------|------|-----|------|------|------|
| Through Bath Filler (mixed) | 13.7 | 18.8 | 27 | 38 | 46.5 | 60 |
| Through Handset (mixed) | 4 | 5.3 | 7.7 | 11.2 | 13.8 | 17.3 |

TECHNICAL DATA SHEET



BRISTAN

D2