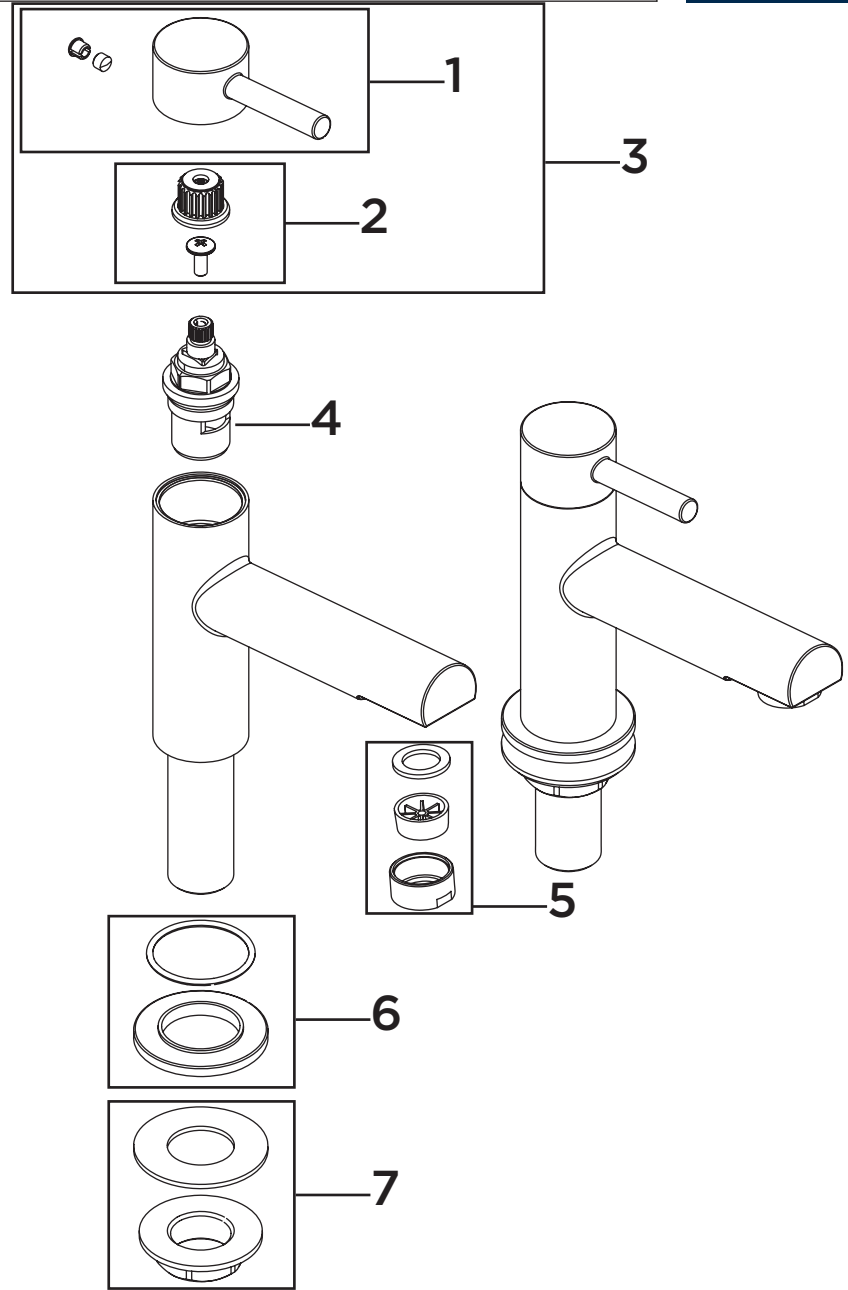


**Product Code:** MIO 1/2 C  
**Revision:** D1



|   |                  |
|---|------------------|
| 1 | Handle           |
| 2 | Spline Adaptor   |
| 3 | Handle Assembly  |
| 4 | Valve            |
| 5 | Anti-Splash      |
| 6 | Plinth           |
| 7 | Backnut & Washer |