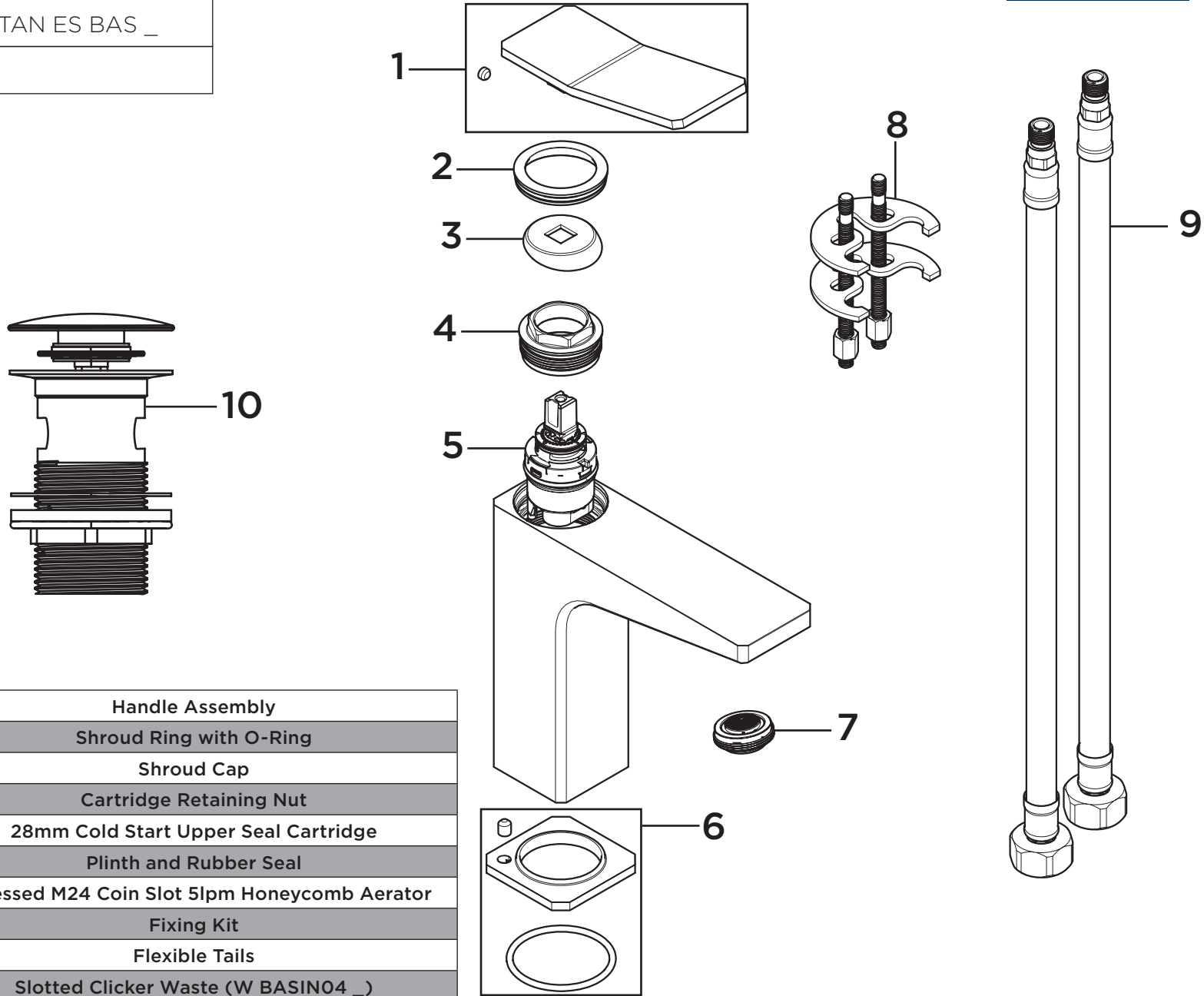


Product Code: TAN ES BAS _

Revision: D1.1



1	Handle Assembly
2	Shroud Ring with O-Ring
3	Shroud Cap
4	Cartridge Retaining Nut
5	28mm Cold Start Upper Seal Cartridge
6	Plinth and Rubber Seal
7	Recessed M24 Coin Slot 5lpm Honeycomb Aerator
8	Fixing Kit
9	Flexible Tails
10	Slotted Clicker Waste (W BASIN04 _)