

TAN BSM BLK

TANGRAM Tap Range

Tangram Bath Shower Mixer Black



Specification

| | |
|--|------------------------------------|
| Product Type: | Bathroom Taps |
| Main Construction Material: | Brass |
| Mount Type: | Deck |
| Handle Type: | Flick Up |
| Connection Inlet: | 3/4" BSP |
| Connection Outlet: | M24 Recessed Honeycomb Aerator |
| Number of Tap Holes: | 2 |
| Valve/Cartridge Type: | 3/4" Short Stem Ceramic Disc Valve |
| Plumbing System Requirements: | Suitable for all plumbing systems |
| Minimum Dynamic Pressure (bar): | 0.3 bar |
| Maximum Dynamic Pressure (bar): | 5 bar |
| Maximum Hot Water Temperature °C: | 60°C |
| Maximum Static Pressure (bar): | 10 bar |
| Flow Type: | Single |
| Isolation Included: | No |

Features:

- Long life 1/4 turn ceramic disc valves for added durability and smooth control.
- Robust metal fixing nut to secure the tap in place reducing the risk of loosening over time.
- On-trend matt black finish to make a statement in your bathroom.
- Rub clean handset - limescale and debris build-up is quickly and easily removed by rubbing a finger or a cloth over the nozzles.
- 10-year parts and 1 year labour guarantee for peace of mind.
- Also available in chrome and brushed brass.
- Co-ordinating Bathroom taps available.

Product Certifications:

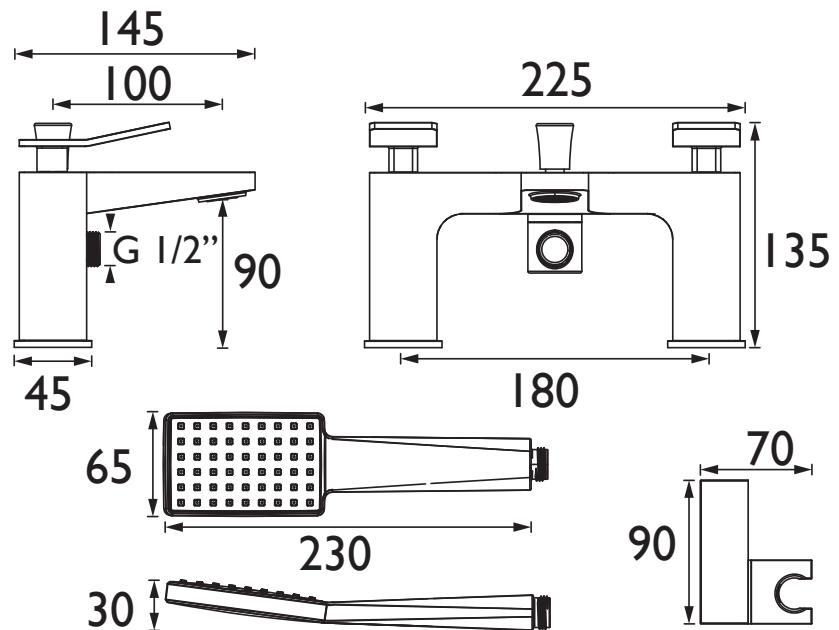


Kiwa Certificate No: 2312721
Kiwa Expiry Date: 12/12/2028

WRAS Certificate No: 2312358
WRAS Expiry Date: 31/12/2028



Dimensions (measurements in mm)



Flow Rates (l/min)

| System Pressure (bar) | 0.3 | 0.5 | 1 | 2 | 3 | 5 |
|-----------------------------|------|------|-----|----|------|------|
| Through Bath Filler (mixed) | 11.3 | 15.2 | 23 | 34 | 41.9 | 54.1 |
| Through Handset (mixed) | 4 | 5.3 | 8.1 | 12 | 15.2 | 20.3 |

TECHNICAL DATA SHEET



BRISTAN

D3