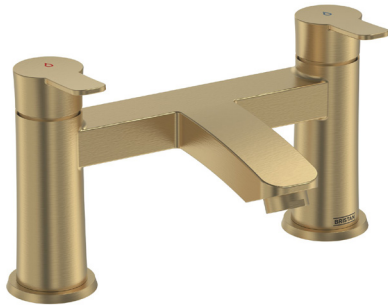


APL BF BB

APPEAL Tap Range Appeal Bath Filler Brushed Brass



Features:

- Long life 1/4 turn ceramic disc valves for added durability and smooth control.
- Robust metal fixing nut to secure the tap in place reducing the risk of loosening over time.
- On-trend brushed brass finish to make a statement in your bathroom.
- Also available in other finishes.
- 10 year parts and 1 year labour guarantee for peace of mind.
- Co-ordinating Bathroom taps available.

Product Certifications:



WRAS Certificate No: 2309905
WRAS Expiry Date: 30/09/2028

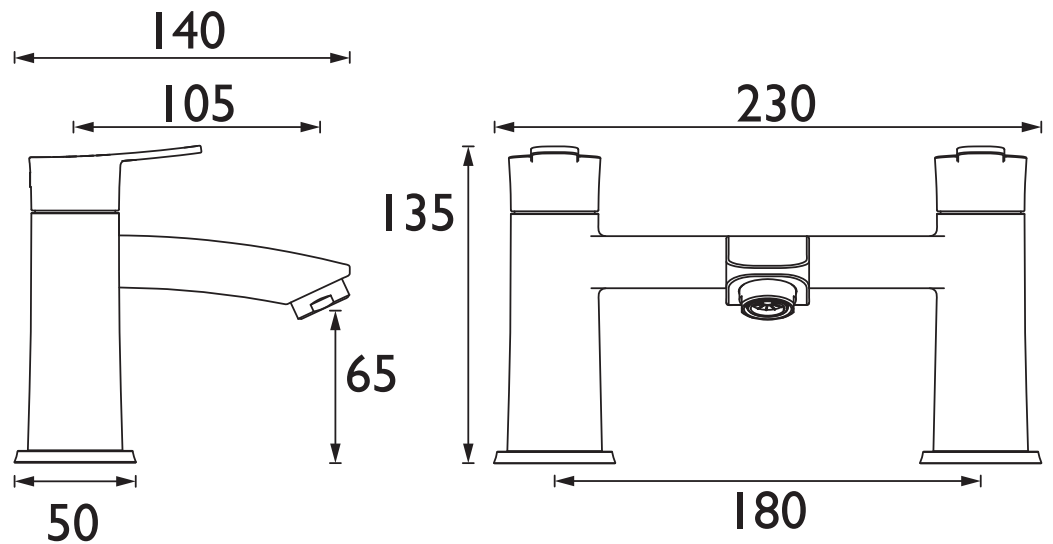
For more products, visit our website:
<http://www.bristan.com>



Specification

Product Type:	Bathroom Taps
Main Construction Material:	Brass
Mount Type:	Deck
Handle Type:	Paddle Lever
Connection Inlet:	3/4" BSP
Connection Outlet:	Housed M24 Aerator
Number of Tap Holes:	2
Valve/Cartridge Type:	3/4" Short Stem Ceramic Disc Valve
Plumbing System Requirements:	Suitable for all plumbing systems
Minimum Dynamic Pressure (bar):	0.2 bar
Maximum Dynamic Pressure (bar):	5 bar
Maximum Hot Water Temperature °C:	60°C
Maximum Static Pressure (bar):	10 bar
Flow Type:	Single
Isolation Included:	No

Dimensions (measurements in mm)



Flow Rates (l/min)

System Pressure (bar)	0.2	0.5	1	2	3	5
APL BF BB (mixed)	24.2	40.4	57.2	80.9	99	127.9

TECHNICAL
DATA
SHEET



BRISTAN

D2