

# HERITAGE BATHROOMS

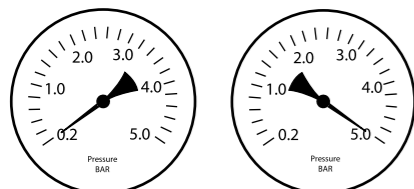
## Installation Instructions & User Guide

Please leave these instructions with the end user

Product Code: **N116-F**  
**N116-F BRUSHED NICKEL**  
**N116-F BRUSHED BRASS**  
**N116-F GOLD**  
**N116-F MATT BLACK (D3)**

### Specifications

#### Working Pressures



Min: 0.2 bar  
 Max: 5.0bar  
 Maximum Static Pressure: 10.0 bar

### Tools You'll Need

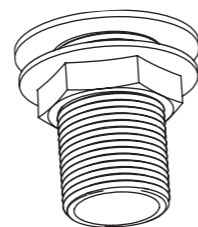


Adjustable spanner



Detector

### Inlet Connections



Male 1/2" BSP Inlet Connection

### Prior to Installation

All products manufactured and supplied by Heritage Bathrooms are safe provided they are installed, used correctly and receive regular maintenance in accordance with these instructions.

Isolation valves **must** be fitted to the inlet water supplies to ensure ease of future maintenance.

This product **must** not be modified in any way as this will invalidate the guarantee.

Full access must be made available for future maintenance / servicing purposes. This product needs to be installed in accordance with, and meet the requirements of the Water Supply (Water Fittings) Regulations 1999 and Scottish Byelaws 2004.

Before starting any installation please consider the following: before drilling into walls, check that there are no hidden electrical wires, cables or water supply pipes. This can be checked with the aid of an electronic detector.

If power tools are used do not forget to:

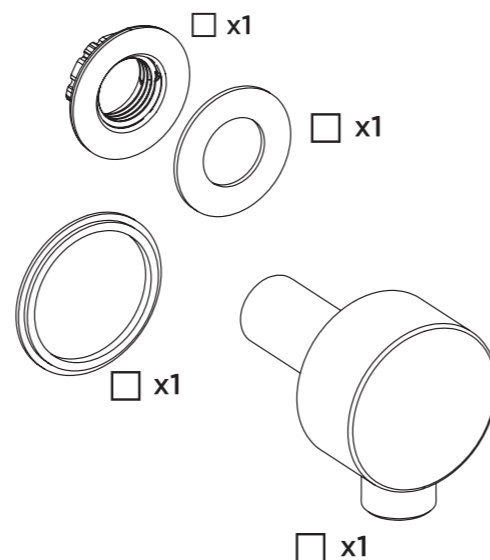
- Wear eye protection
- Unplug equipment after use

Warning: It is essential that you thoroughly flush through the pipework in order to remove any remaining swarf, solder, etc before using this product. Failure to carry out this procedure could cause problems or damage.

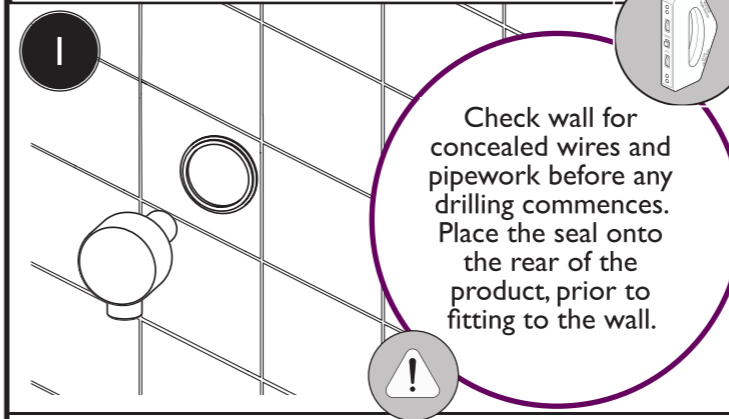
If in doubt, contact a registered plumber or your Local Water Authority or the Secretary of the Institute of Plumbing, address as follows:-

The Institute of Plumbing,  
 64 Station Lane,  
 Hornchurch,  
 Essex,  
 RM12 6NB, Tel: 01708 472791

### Pack Contents

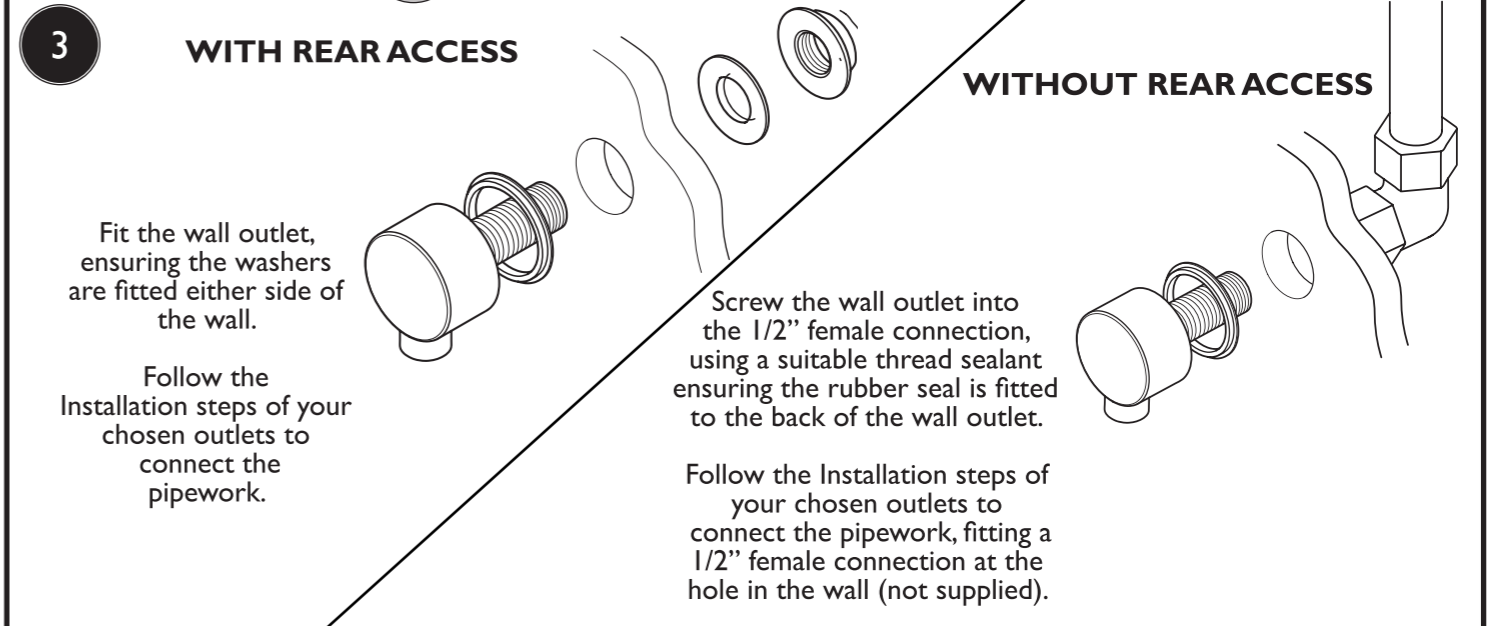


### Wall Outlet Installation



Choose the location for the wall outlet and create a 25-30mm hole in the wall.

Ensure your shower accessories have enough reach from that position. Finish the wall surface.



### WITH REAR ACCESS

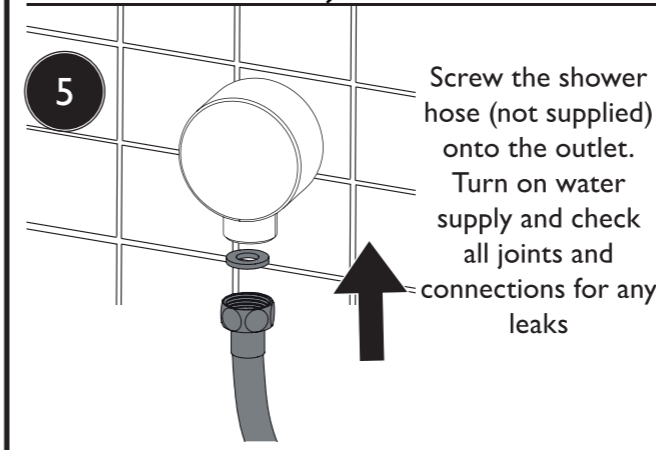
Fit the wall outlet, ensuring the washers are fitted either side of the wall.

Follow the Installation steps of your chosen outlets to connect the pipework.

### WITHOUT REAR ACCESS

Screw the wall outlet into the 1/2" female connection, using a suitable thread sealant ensuring the rubber seal is fitted to the back of the wall outlet.

Follow the Installation steps of your chosen outlets to connect the pipework, fitting a 1/2" female connection at the hole in the wall (not supplied).



### General Cleaning

Heritage products are made from premium materials, with hand polished, PVD, EPD or electroplated finishes.

Your product should be regularly cleaned with warm water, a mild pH-neutral liquid soap, and polished with a soft cloth. Any residues from soap, toiletries etc. should be rinsed off straight after use.

Household bleaches and cleaners contain harsh chemicals and may damage the surface finish. Avoid using abrasive cloths, scouring pads, scrub sponges, steel wool or anything similar.

Some surfaces such as nickel and pewter may be affected by the dye found in some cloths, so it is also important to avoid leaving cloths on surfaces.

### Our Guarantee

The confidence we have in the quality of our products and services enables us to offer a free peace-of-mind product guarantee from 2 years up to a lifetime guarantee against any manufacturing faults, with proof of purchase. In addition, our attentive customer service team are available to help solve any problems which may arise quickly and effectively so you can enjoy your bathroom.

To see the specific guarantee for this product, scan the QR Code or visit the following URL: <https://www.heritagebathrooms.com/service-centre/guarantee>

**Bristan Group Ltd.**

**UK:** Heritage Bathrooms, B78 ISG.  
**EU:** Masco Europe S.à.r.l., 14 Rue Strachen  
 6933 Mensdorf, Luxembourg.

**Customer Service:** +44330 026 8503

**Web:** [www.heritagebathrooms.com](http://www.heritagebathrooms.com)  
**Email:** [enquire@heritagebathrooms.com](mailto:enquire@heritagebathrooms.com)

**A Masco Company**



**HERITAGE  
BATHROOMS**