

# CRU BF BB

## CRUZAR Tap Range Cruzar Bath Filler Brushed Brass



### Features:

- Long life 1/4 turn ceramic disc valves for added durability and smooth control.
- Robust metal fixing nut to secure the tap in place reducing the risk of loosening over time.
- On-trend brushed brass finish to make a statement in your bathroom.
- 10 year parts and 1 year labour guarantee for peace of mind.
- Also available in other finishes.

### Product Certifications:



WRAS Certificate No: 2305921  
WRAS Expiry Date: 31/05/2028

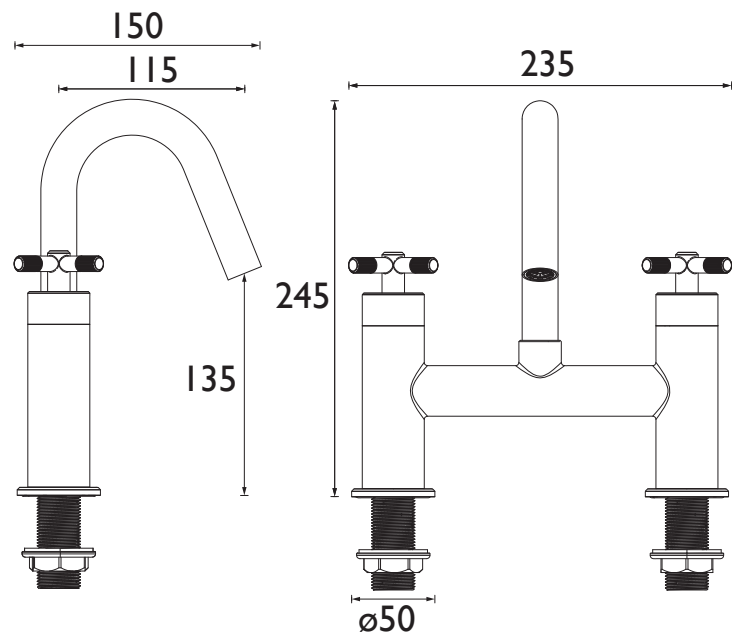
For more products, visit our website:  
<http://www.bristan.com>



### Specification

|                                   |                                    |
|-----------------------------------|------------------------------------|
| Product Type:                     | Bathroom Taps                      |
| Main Construction Material:       | Brass                              |
| Mount Type:                       | Deck                               |
| Handle Type:                      | Crosshead Handles                  |
| Connection Inlet:                 | 3/4" BSP                           |
| Connection Outlet:                | M16 Flow Straightener              |
| Number of Tap Holes:              | 2                                  |
| Valve/Cartridge Type:             | 3/4" Ceramic Disc Valve - 1/4 turn |
| Plumbing System Requirements:     | Suitable for all plumbing systems  |
| Minimum Dynamic Pressure (bar):   | 0.2 bar                            |
| Maximum Dynamic Pressure (bar):   | 5 bar                              |
| Maximum Hot Water Temperature °C: | 60°C                               |
| Maximum Static Pressure (bar):    | 10 bar                             |
| Flow Type:                        | Single                             |
| Isolation Included:               | No                                 |

### Dimensions (measurements in mm)



### Flow Rates (l/min)

| System Pressure (bar) | 0.2  | 0.5  | 1    | 2    | 3    | 5    |
|-----------------------|------|------|------|------|------|------|
| CRU BF BB (mixed)     | 14.2 | 23.9 | 34.6 | 49.2 | 62.2 | 80.3 |

## TECHNICAL DATA SHEET



# BRISTAN

D2