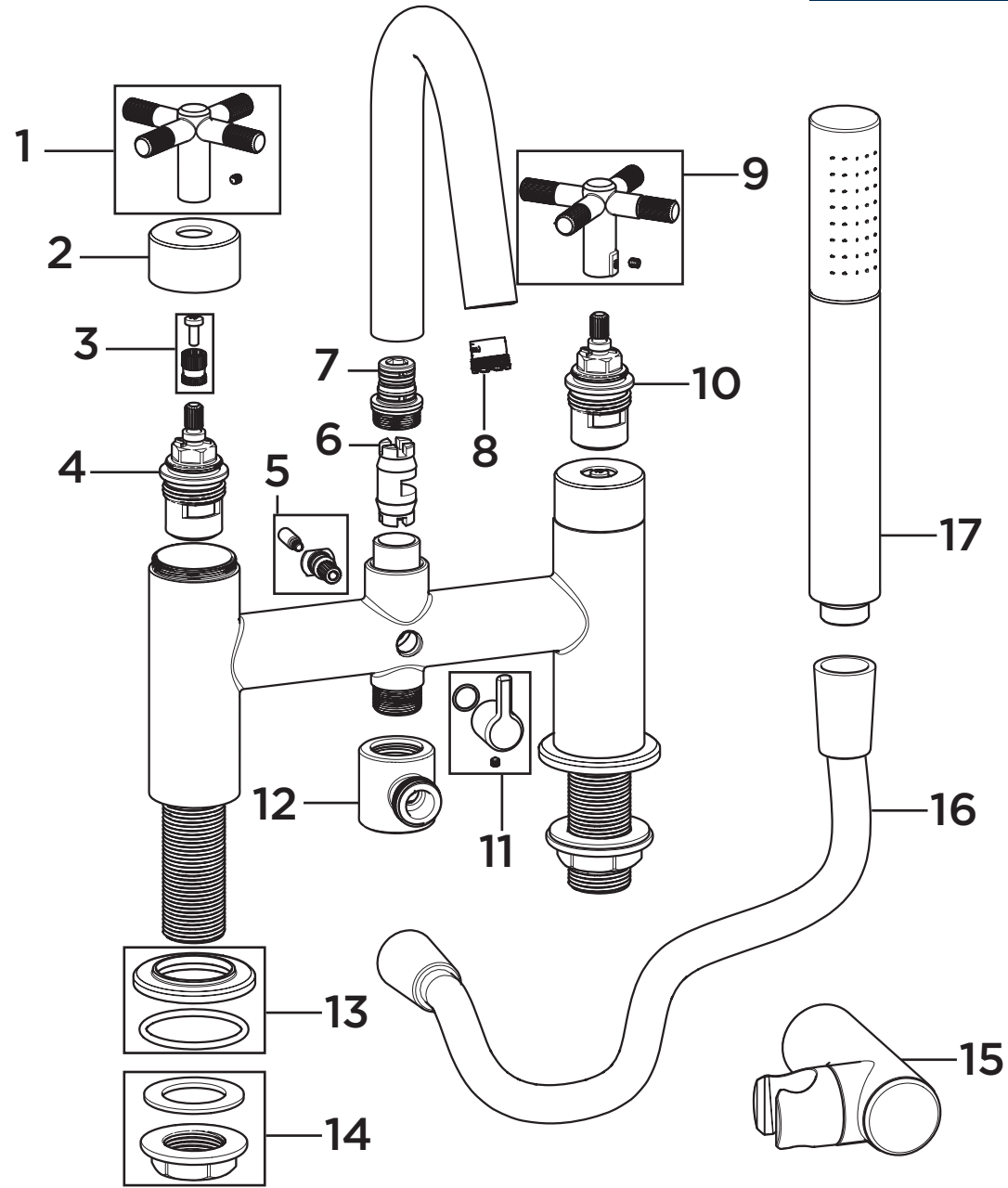


Product Code: CRU BSM _
Revision: D1



1	Hot Handle Assembly
2	Shroud
3	Spline Adapter and Screw
4	Hot Cartridge
5	Diverter Spline
6	Diverter Mechanism
7	Spout Seals Kit
8	Recessed Flow Straightener
9	Cold Handle Assembly
10	Cold Cartridge
11	Diverter Handle
12	Elbow Hose Connection
13	Plinth with Rubber Seal
14	Backnut and Washer
15	Handset Wall Bracket
16	Hose
17	Handset