

# BRISTAN

## Installation Instructions & User Guide

Please leave these instructions  
with the end user

Cruzar Bath Shower Mixer Range | CRU BSM C (D1)

### Specifications

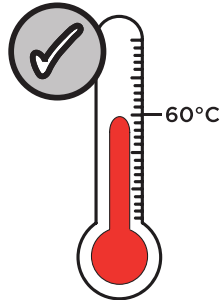
#### Dynamic Water Pressure

Min: 0.5 bar Max: 5.0 bar



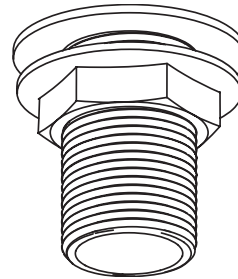
Maximum Static Pressure: 10.0 bar

#### Inlet Water Temperature



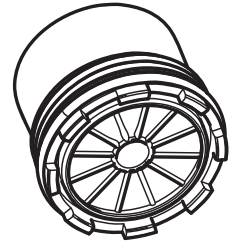
Maximum Hot 60°C

#### Inlet Connections



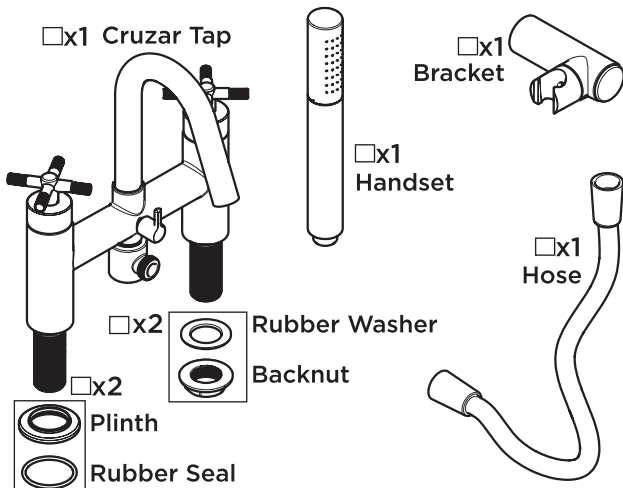
3/4" BSP

#### Outlet

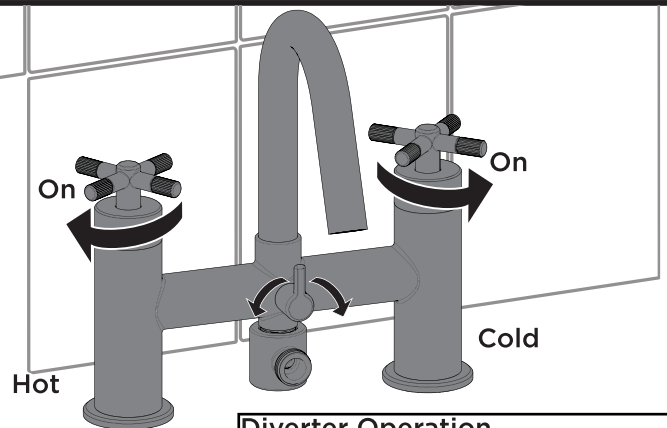


M16 Recessed  
Flow Straightener

### Pack Contents



### Operation



#### Diverter Operation

- Turn handle left for hand-set
- Turn handle right for bath-fill

### Tools Required for Installation/ Maintenance



### Prior to Installation

All products manufactured and supplied by Bristan are safe to use provided that they are installed, operated and receive regular maintenance in accordance with these instructions.

This product needs to be installed in accordance with, and meet the requirements of The Water Supply (Water Fittings) Regulations (Northern Ireland) 2009 and The Water Supply (Water Fittings) (Scotland) Byelaws 2014. For full Installation Requirements & Notes (IRN) please visit [www.wrasapprovals.co.uk/approvals-directory](http://www.wrasapprovals.co.uk/approvals-directory)

Isolation valves must be fitted to the inlet water supplies to ensure ease of future maintenance. Before installing this product the water supply must be thoroughly flushed in order to remove any swarf, solder etc. Full access must be made available for future maintenance/servicing purposes.

If power tools are used do not forget to: - Wear eye protection - Unplug equipment after use


This product must not be modified in any way as this will invalidate the guarantee.

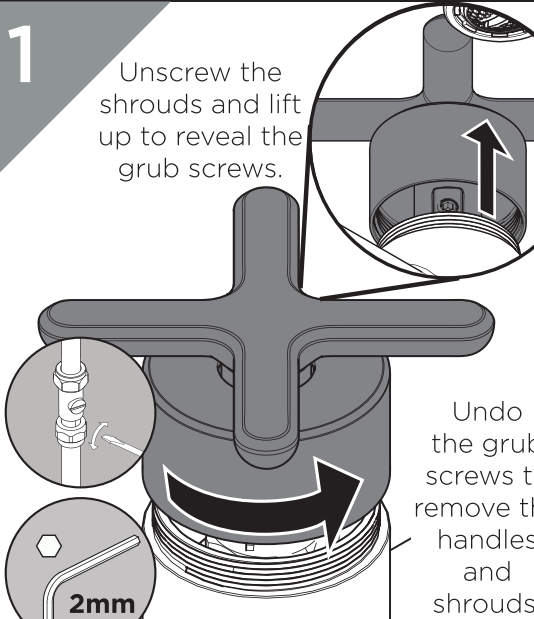
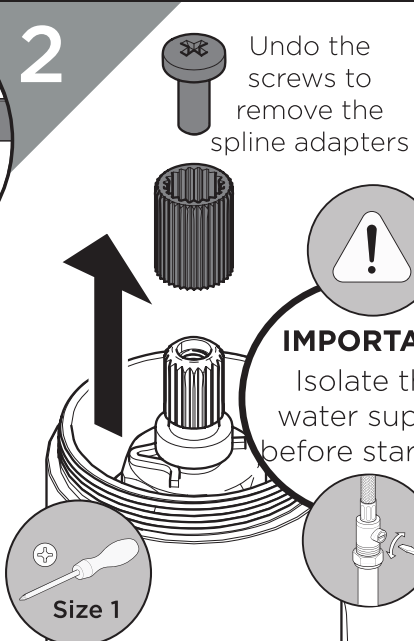
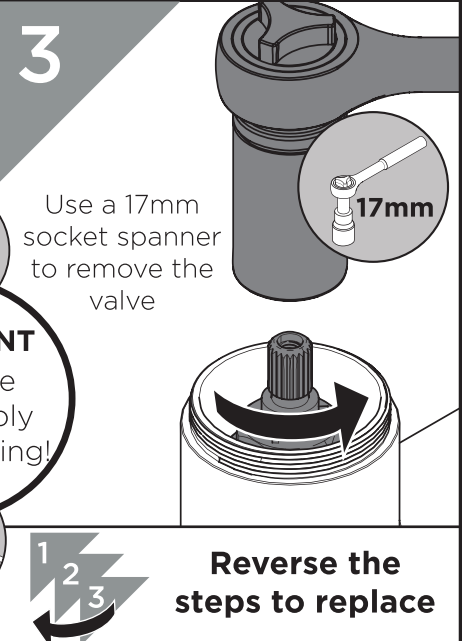
### Spare Parts



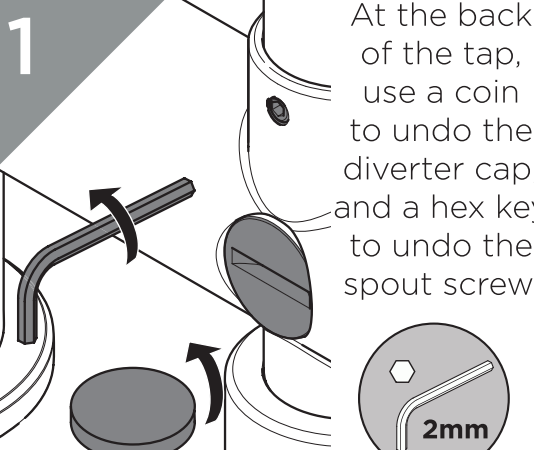
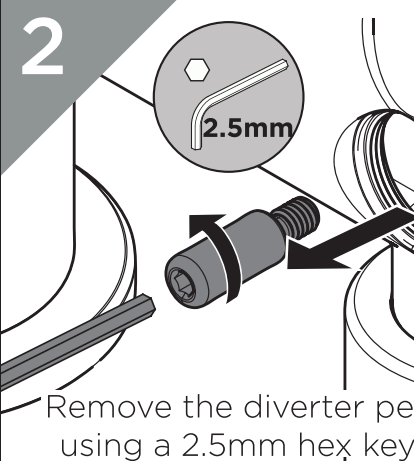
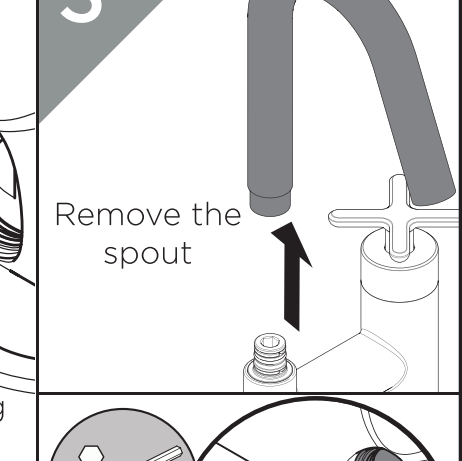
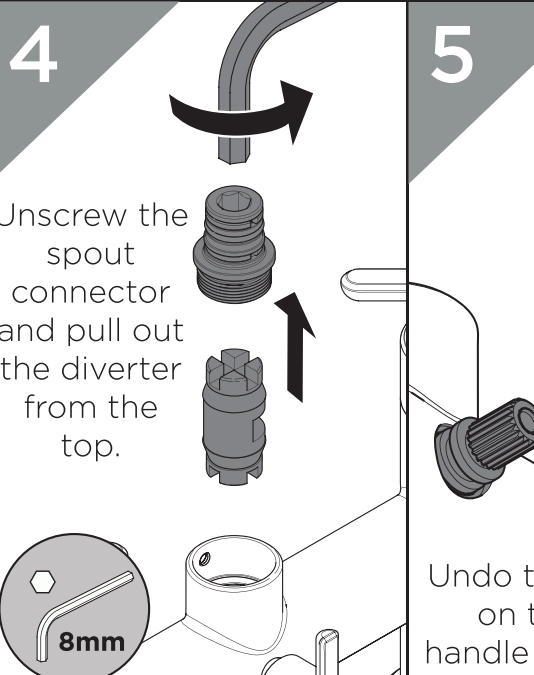
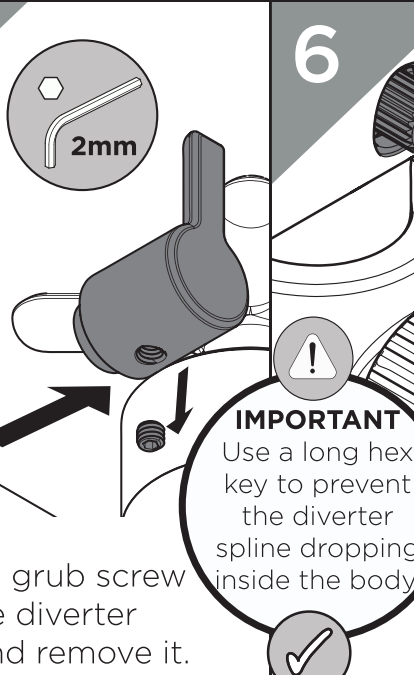
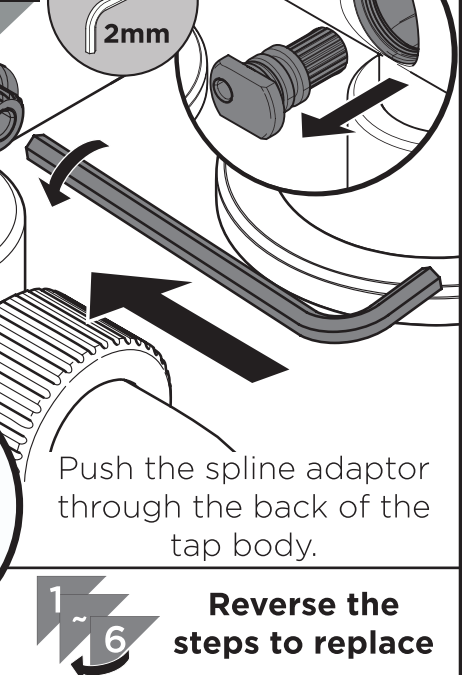
To replace any spare parts for your tap, why not scan the QR Code or visit [www.bristan.com](http://www.bristan.com) and search for your product.

# Maintenance - Valve Replacement

 PLEASE NOTE - Taps shown in these instructions are for illustration purposes only. All taps can be maintained using these instructions.

<p><b>1</b></p> <p>Unscrew the shrouds and lift up to reveal the grub screws.</p>  <p>Undo the grub screws to remove the handles and shrouds.</p> <p><b>2mm</b></p>	<p><b>2</b></p> <p>Undo the screws to remove the spline adapters</p>  <p><b>IMPORTANT</b> Isolate the water supply before starting!</p> <p><b>Size 1</b></p>	<p><b>3</b></p> <p>Use a 17mm socket spanner to remove the valve</p>  <p><b>17mm</b></p> <p><b>Reverse the steps to replace</b></p>
---	--	--

# Maintenance - Diverter Replacement

<p><b>1</b></p> <p>At the back of the tap, use a coin to undo the diverter cap; and a hex key to undo the spout screw.</p>  <p><b>2mm</b></p>	<p><b>2</b></p> <p>Remove the diverter peg using a 2.5mm hex key.</p>  <p><b>2.5mm</b></p>	<p><b>3</b></p> <p>Remove the spout</p> 
<p><b>4</b></p> <p>Unscrew the spout connector and pull out the diverter from the top.</p>  <p><b>8mm</b></p>	<p><b>5</b></p> <p>Undo the grub screw on the diverter handle and remove it.</p>  <p><b>2mm</b></p> <p><b>IMPORTANT</b> Use a long hex key to prevent the diverter spline dropping inside the body</p>	<p><b>6</b></p> <p>Push the spline adaptor through the back of the tap body.</p>  <p><b>2mm</b></p> <p><b>Reverse the steps to replace</b></p>



## Important

**The images shown are for illustrative purposes only.**

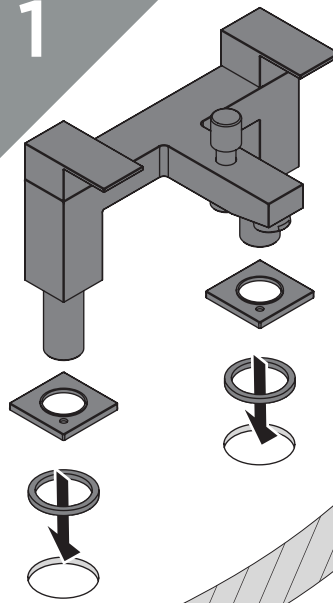
The tap you have purchased may look different to those pictured in this booklet but will follow the same installation steps.

**Your contents page will be specific to your product.**

If you find your product or any of its components differ from those shown on the contents page, please contact our customer support.

## Installation

1

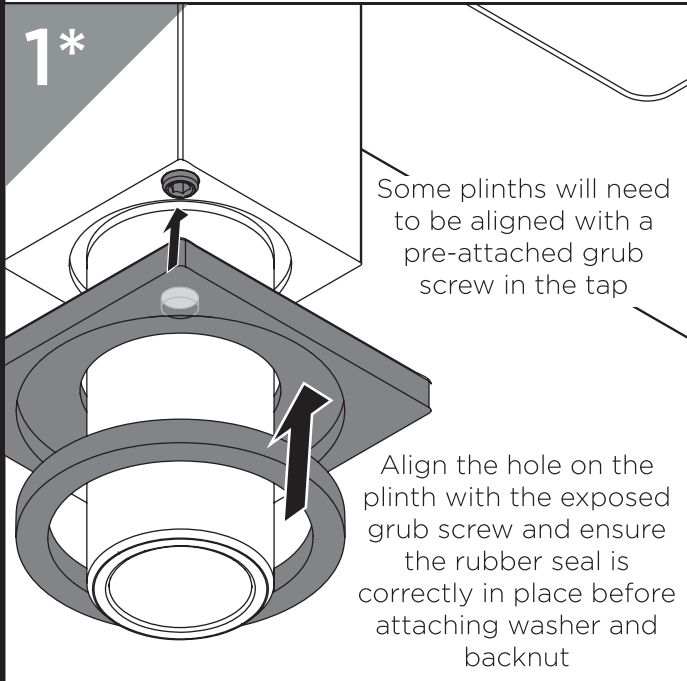


Feed the tap body through the plinths and ensure rubber plinth seals are in place

Once aligned, feed the threaded tails through tap holes

**IMPORTANT**  
Your model may come with a plinth and will either be included pre-attached or loose in the box\*

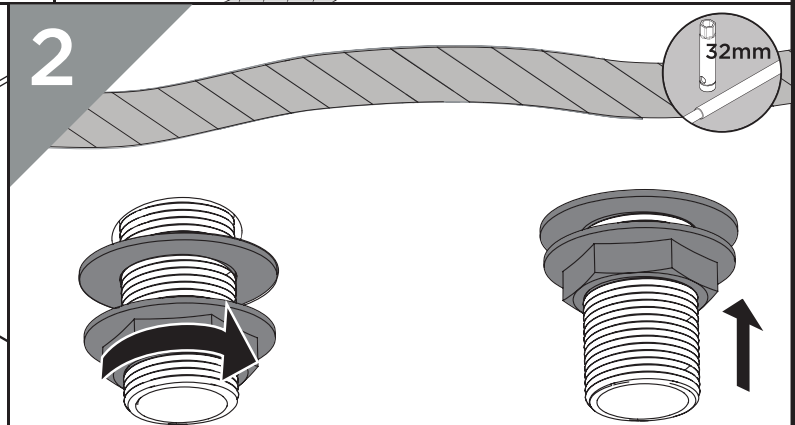
1\*



Some plinths will need to be aligned with a pre-attached grub screw in the tap

Align the hole on the plinth with the exposed grub screw and ensure the rubber seal is correctly in place before attaching washer and backnut

2



32mm

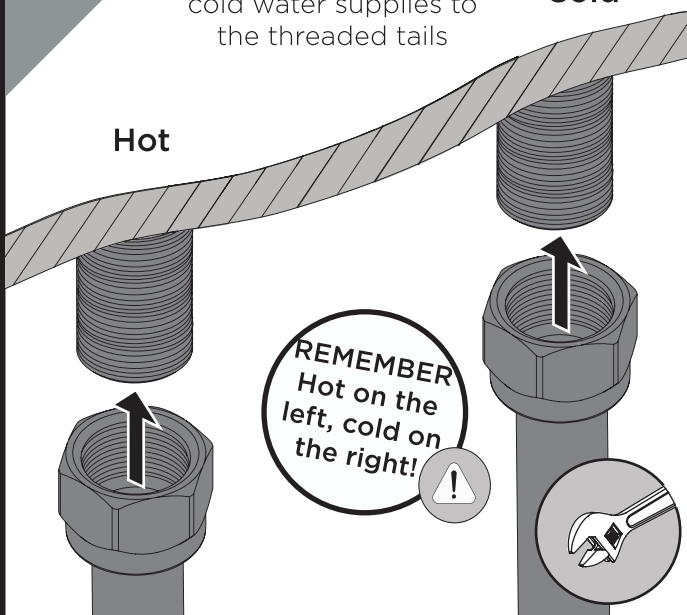
To secure the taps to the bath, use a box spanner to tighten the metal backnuts underneath ensuring the washer is correctly positioned in between the backnuts and the bath

3

Connect the hot and cold water supplies to the threaded tails

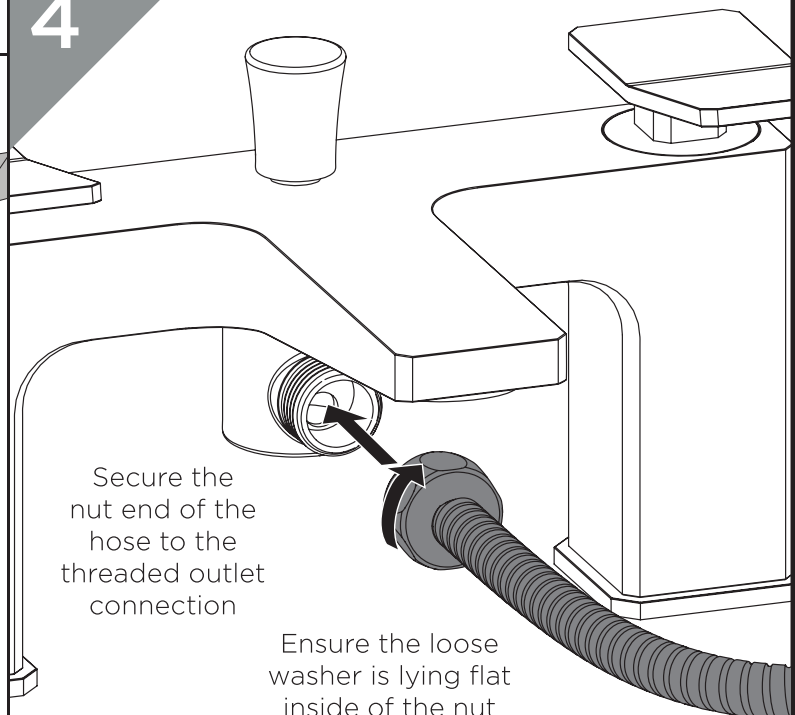
Cold

Hot



**REMEMBER**  
Hot on the left, cold on the right!

4



Secure the nut end of the hose to the threaded outlet connection

Ensure the loose washer is lying flat inside of the nut

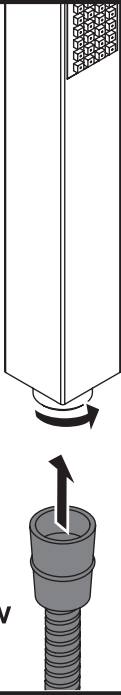
5

Secure the cone end of the hose onto the threaded inlet connection of the handset

If your model has one, ensure the loose washer is lying flat inside of the cone connection

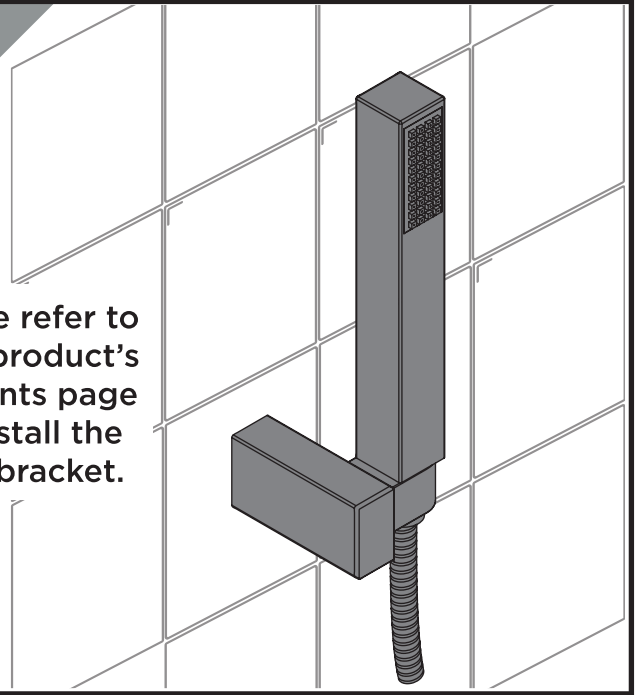
**IMPORTANT**  
Turn on water supply for a few minutes and check all joints and connections for any leaks.

Your tap is now ready to use



6

Please refer to your product's contents page to install the wall bracket.

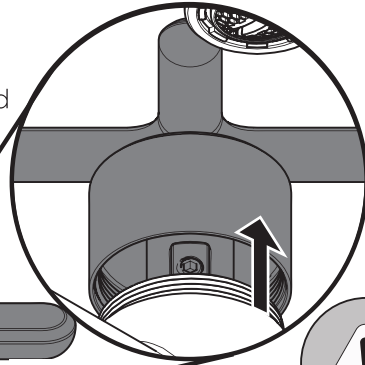


## Maintenance - Valve Replacement

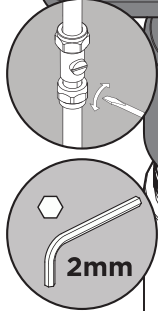
**!** PLEASE NOTE - Taps shown in these instructions are for illustration purposes only. All taps can be maintained using these instructions.

1

Unscrew the shrouds and lift up to reveal the grub screws.



Undo the grub screws to remove the handles and shrouds.

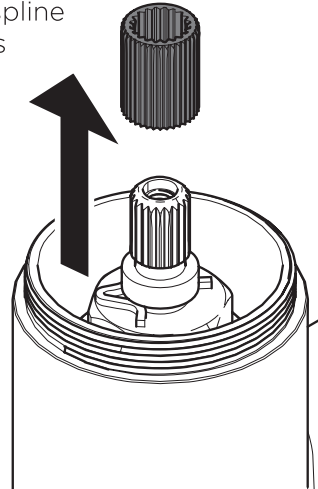


2

Undo the screws to remove the spline adapters

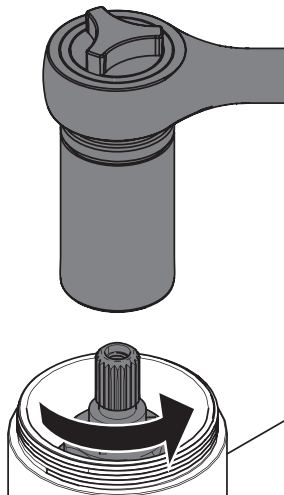


**IMPORTANT**  
Isolate the water supply before starting!

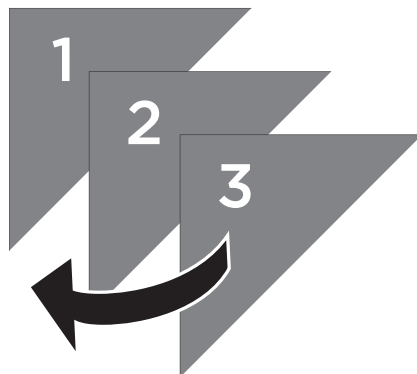


3

Use a 17mm socket spanner to remove the valve



4



Reverse the steps to replace the cartridge.

# Maintenance - Valve Replacement

4



Visit [www.bristan.com](http://www.bristan.com) or scan the QR Code and search for your product code to replace the cartridge for your tap.

5

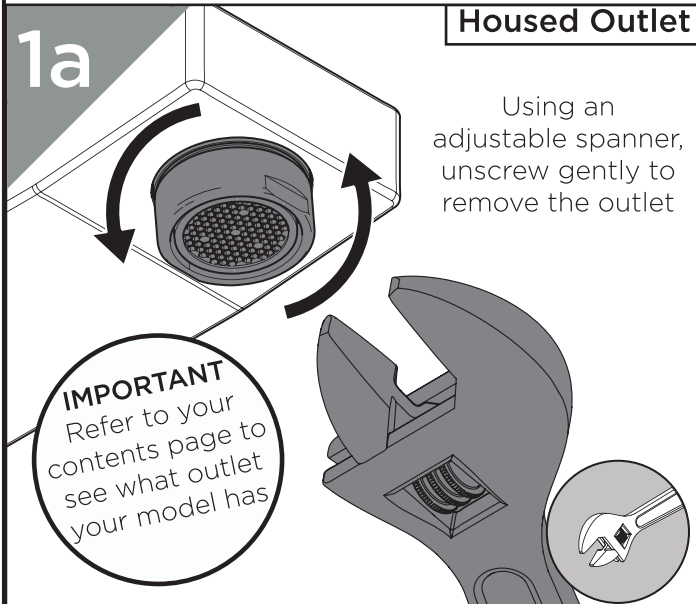


Reverse the steps to replace the valves and handles.

# Maintenance - Clean/ Replace Outlet

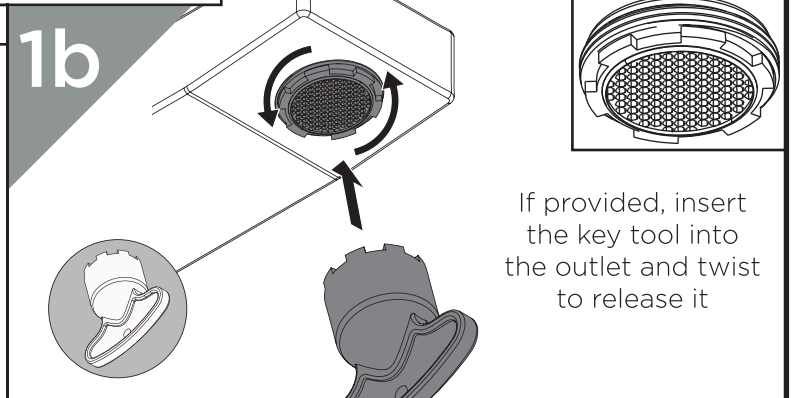
**1a** **Housed Outlet**

Using an adjustable spanner, unscrew gently to remove the outlet



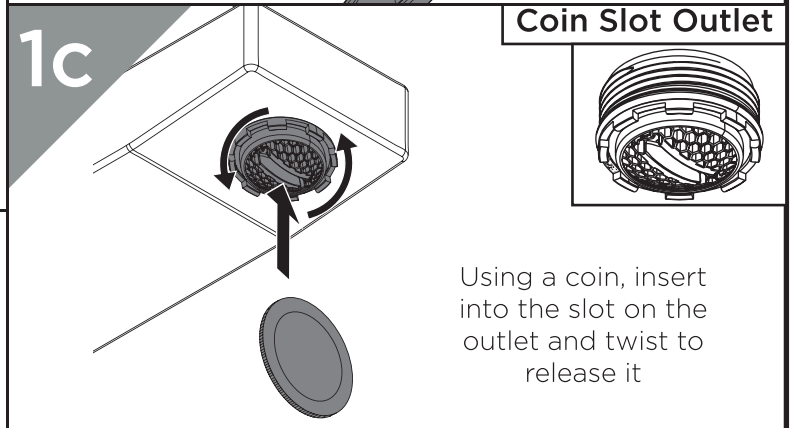
**IMPORTANT**  
Refer to your contents page to see what outlet your model has

**1b** **Recessed Outlet**



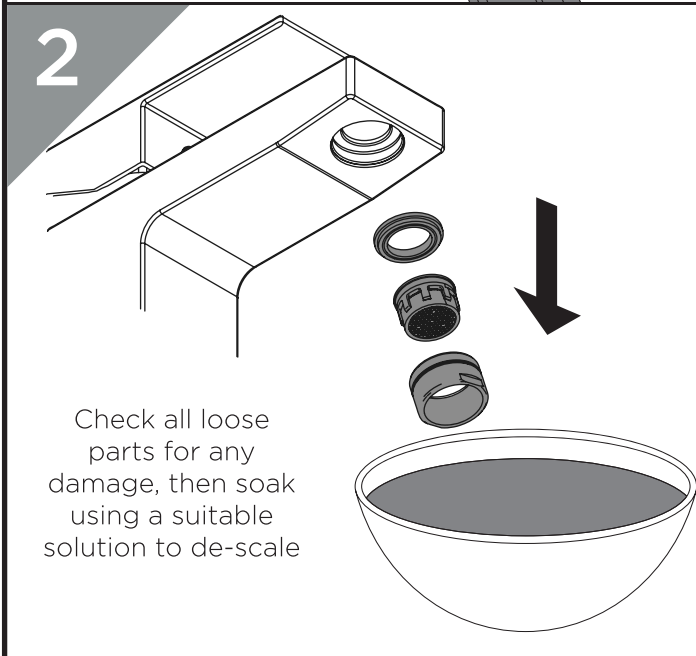
If provided, insert the key tool into the outlet and twist to release it

**1c** **Coin Slot Outlet**



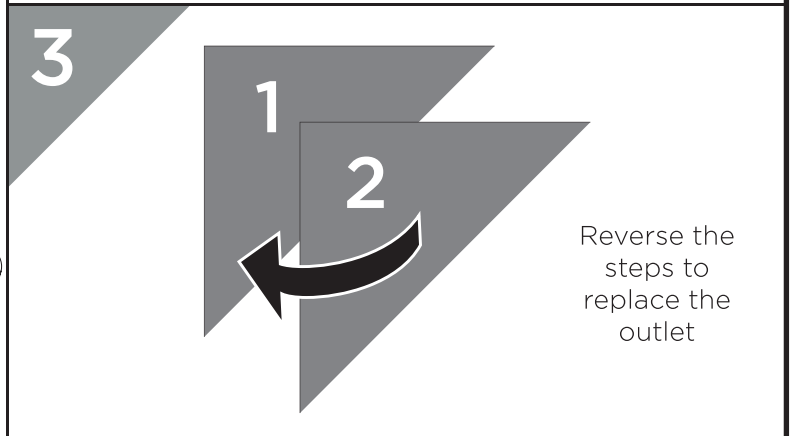
Using a coin, insert into the slot on the outlet and twist to release it

**2**



Check all loose parts for any damage, then soak using a suitable solution to de-scale

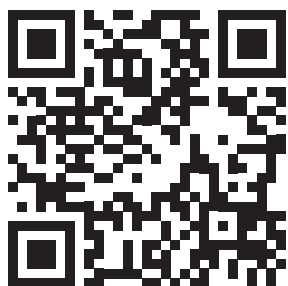
**3**



Reverse the steps to replace the outlet

Troubleshooting		Troubleshooting	
Symptom	Cause	Remedy	
<b>No flow or low flow rate</b>	Partially closed isolation valve.	Open isolation valve.	
	Head of water is below the minimum distance required.	Refer to specification for minimum distance required.	
	Hot or cold water being drawn off elsewhere causing pressure changes or instantaneous boiler temperature changes.	Do not use other water outlets when using the taps.	
	Airlock or partial blockage in the supply pipework.	Flush through pipework to ensure removal of debris and any airlocks.	
<b>Water dripping from taps</b>	This is normal for a short time after using the taps.	This is caused by residual water tension, the build up of water in the tap body.	
	If water continues to drip, possibly due to the ceramic disc valves	Remove valves and replace, refer to 'Maintenance' section.	
<b>Taps do not turn on</b>	Closed isolation valve.	Open isolation valve.	
	Mains water supply turned off.	Turn on mains water supply.	
<b>Water not coming from handset when in use</b>	Diverter mechanism not fully open.	Ensure diverter is fully open.	
	Kink or blockage in hose	Make sure hose is free of any kinks and free to move. Remove handset and flush through hose.	
	Head of water is below the minimum distance required.	Refer to specification for minimum distance required.	

## Spares



Visit [www.bristan.com](http://www.bristan.com) or scan the QR Code and search for your product code to replace the cartridge for your tap.

## Contact Us

# **BRISTAN**

**Bristan Group Ltd.**

**UK:** Bristan Group, B78 1SG.

**EU:** Masco Europe S.à.r.l.  
14 Rue Strachen  
6933 Mensdorf  
Luxembourg

**Customer Service:** +44330 026 6273

**Web:** [www.bristan.com](http://www.bristan.com)

**Email:** [enquire@bristan.com](mailto:enquire@bristan.com)

**A Masco Company**

## Our Guarantee

At Bristan, we want to make things as easy as possible for our customers. That's why we offer solid guarantees on all our products, effective from the date of purchase, to give you peace of mind.

To start your free guarantee simply scan the QR code and register your product. Alternatively visit [www.bristan.com/register](http://www.bristan.com/register).

For any other queries, please call our Customer Service on 0330 026 6273 where our expert team of advisors will be able to offer you any help and advice.

For full guarantee terms and conditions visit [www.bristan.com/service-centre/guarantees](http://www.bristan.com/service-centre/guarantees).

