



Features:

- Multi function rub clean handset - limescale and debris build-up is quickly and easily removed by rubbing a finger or a cloth over the nozzles.
- Long life 1/4 turn ceramic disc valves for added durability and smooth control.
- Robust metal fixing nut to secure the tap in place reducing the risk of loosening over time.
- A hard-wearing, flawless, scratch resistant chrome finish that lasts for years. Salt spray tested to ensure added durability.
- 10 year parts and 1 year labour guarantee for peace of mind.

Product Certifications:



WRAS Certificate No: 2303381
WRAS Expiry Date: 31/03/2028



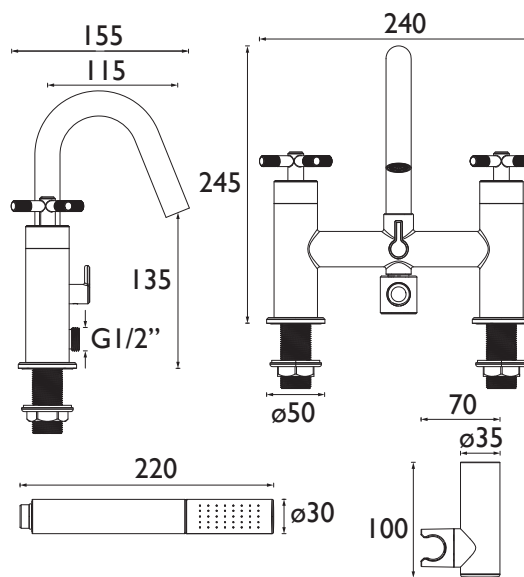
For more products, visit our website:
<http://www.bristan.com>



Specification

| | |
|--|------------------------------------|
| Product Type: | Bathroom Taps |
| Main Construction Material: | Brass; ABS; Stainless Steel |
| Mount Type: | Deck |
| Handle Type: | Crosshead Handles |
| Connection Inlet: | 3/4" BSP |
| Connection Outlet: | M16 Flow Straightener |
| Number of Tap Holes: | 2 |
| Hose Length (mm): | 1500 |
| Valve/Cartridge Type: | 3/4" Ceramic Disc Valve - 1/4 turn |
| Plumbing System Requirements: | Suitable for all plumbing systems |
| Minimum Dynamic Pressure (bar): | 0.5 bar |
| Maximum Dynamic Pressure (bar): | 5 bar |
| Maximum Hot Water Temperature °C: | 60°C |
| Maximum Static Pressure (bar): | 10 bar |
| Flow Type: | Single |
| Isolation Included: | No |

Dimensions (measurements in mm)



Flow Rates (l/min)

| System Pressure (bar) | 0.5 | 1 | 2 | 3 | 5 |
|-----------------------------|------|------|------|------|------|
| Through Bath Filler (mixed) | 12.9 | 19.2 | 27.5 | 32.3 | 50.4 |
| Through Handset (mixed) | 6.8 | 10.1 | 14.9 | 18.7 | 23.8 |

TECHNICAL DATA SHEET



BRISTAN