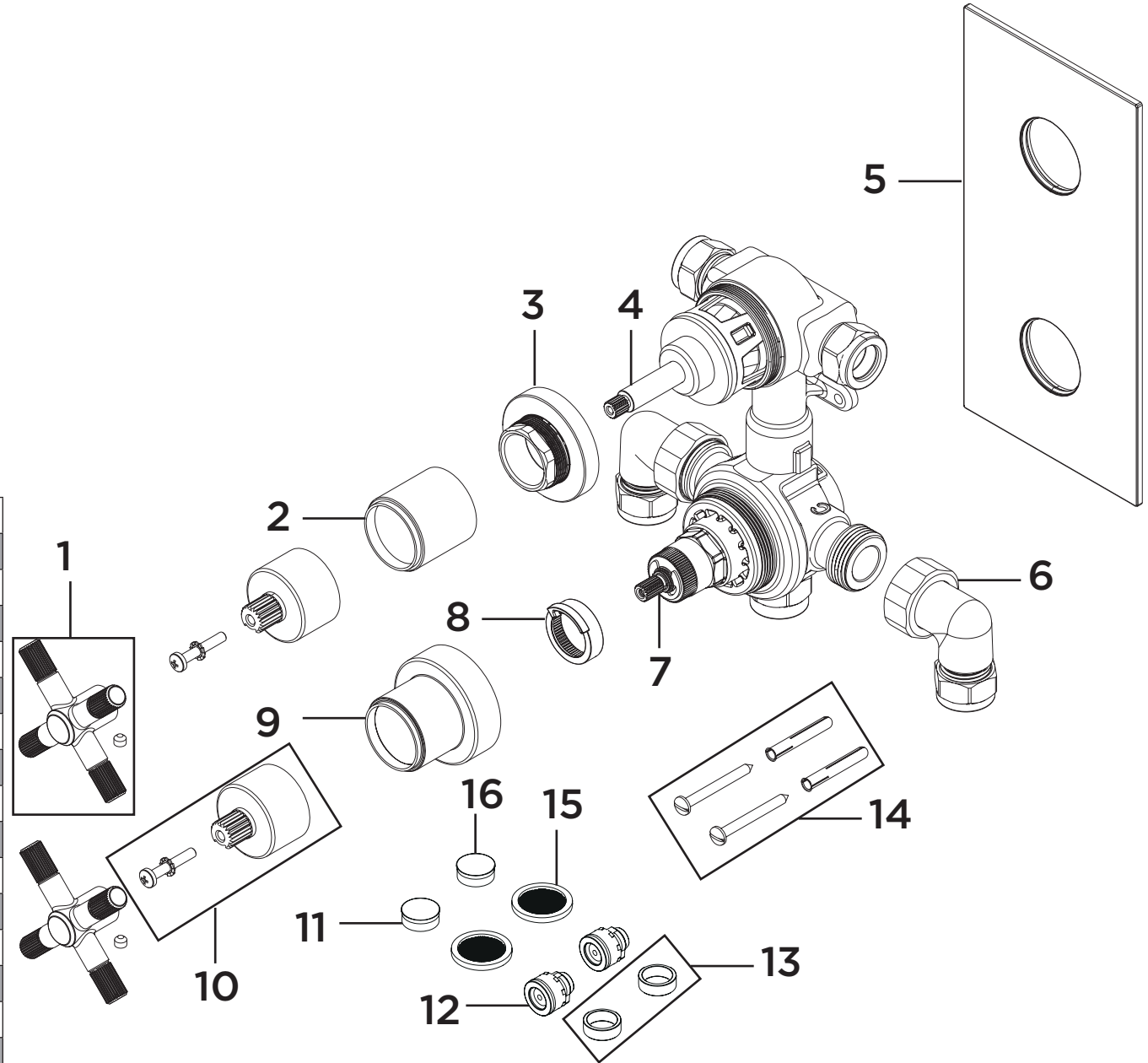


Product Code: CRU _ SHWR PK

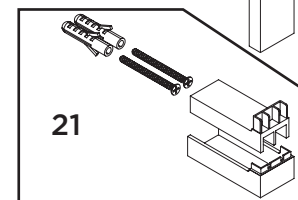
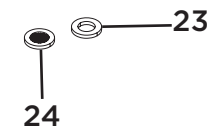
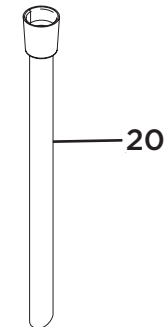
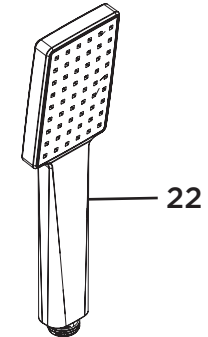
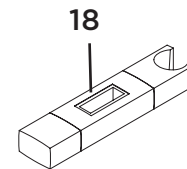
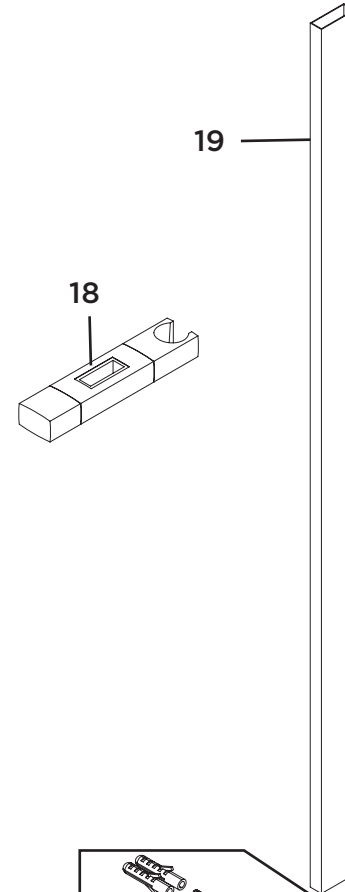
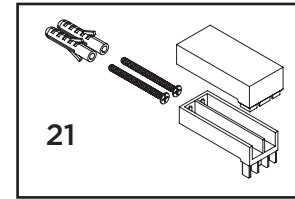
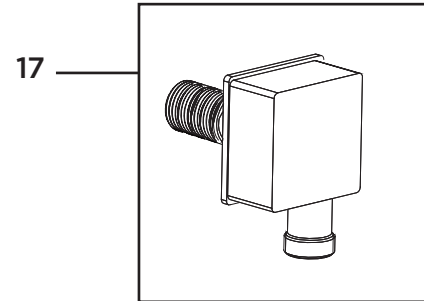
Revision: D2

1	Handle Assembly
2	Diverter Shroud
3	Diverter Retaining Nut
4	Diverter Cartridge
5	Concealing Plate
6	Elbow Assembly
7	Thermostatic Cartridge
8	Temperature Stop
9	Temperature Shroud
10	Handle Adaptor
11	5lpm Flow Limiter
12	Check Valve
13	Inserts (Pair)
14	Screw Pack
15	Filter Washer
16	7lpm Flow Limiter



Product Code: CRU _ SHWR PK

Revision: D2



17	Wall Outlet
18	Slider
19	Riser Rail
20	1.5 m Cone Nut Hose
21	Wall Brackets
22	Square Handset
23	Hose washer
24	Filter Washer