

# MOL BF BLK

# MOLIDA Tap Range

Molida Bath Filler Black



## Features:

- Long life 1/4 turn ceramic disc valves for added durability and smooth control.
- Robust metal fixing nut to secure the tap in place reducing the risk of loosening over time.
- On-trend matt black finish to make a statement in your bathroom.
- 10 year parts and 1 year labour guarantee for peace of mind.
- Also available in other finishes.

## Product Certifications:



WRAS Certificate No: 2204916  
WRAS Expiry Date: 30/04/2027

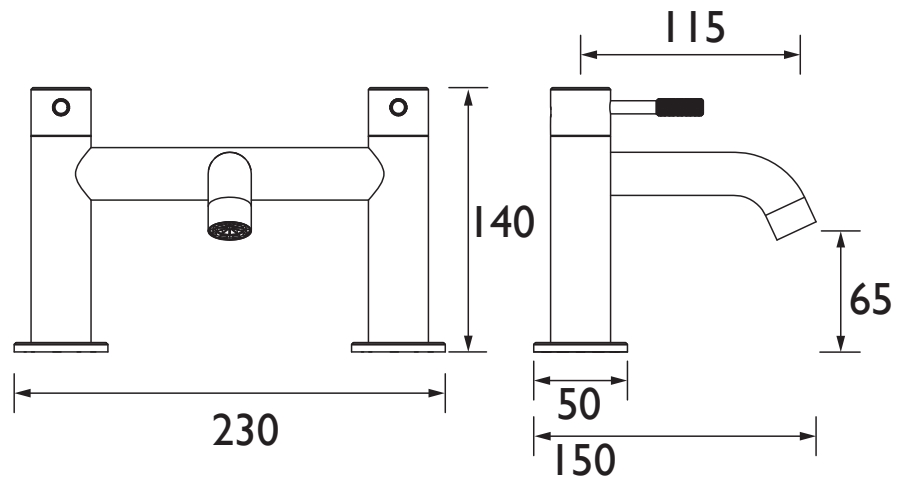
For more products, visit our website:  
<http://www.bristan.com>



## Specification

Product Type:	Bathroom Taps
Main Construction Material:	Brass
Mount Type:	Deck
Handle Type:	Lever Handles
Connection Inlet:	3/4" BSP
Connection Outlet:	M24 Aerator
Number of Tap Holes:	2
Valve/Cartridge Type:	3/4" Ceramic Disc Valve - 1/4 turn
Plumbing System Requirements:	Suitable for all plumbing systems
Minimum Dynamic Pressure (bar):	0.2 bar
Maximum Dynamic Pressure (bar):	5 bar
Maximum Hot Water Temperature °C:	60°C
Maximum Static Pressure (bar):	10 bar
Flow Type:	Single
Isolation Included:	No

## Dimensions (measurements in mm)



## Flow Rates (l/min)

System Pressure (bar)	0.2	0.5	1	2	3	5
MOL BF BLK (mixed)	19.9	32.8	46.9	66.8	80.3	103.7

# TECHNICAL DATA SHEET



# BRISTAN

D2