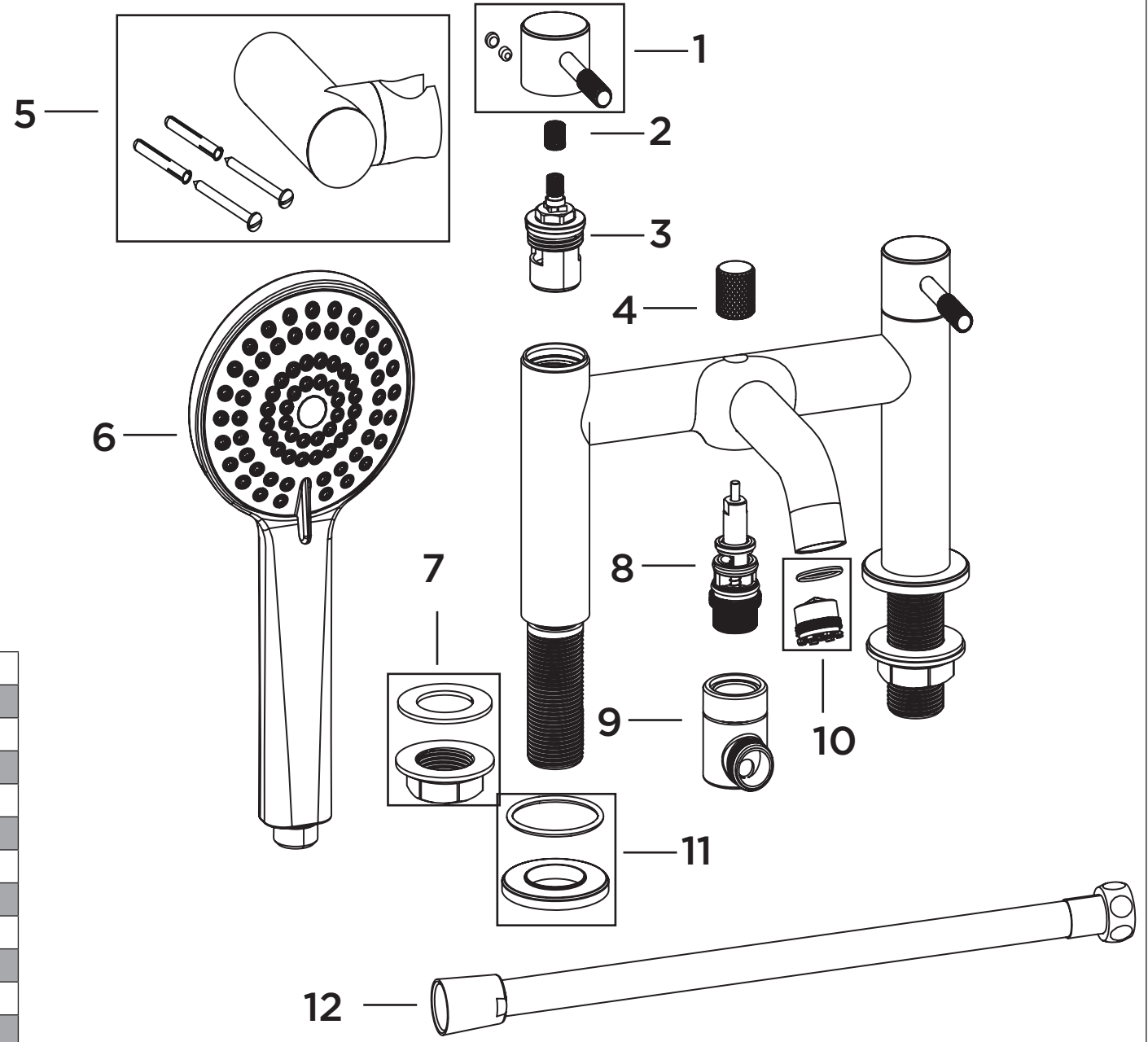


Product Code: MOL BSM __

Revision: D1



| | |
|----|------------------------|
| 1 | Handle Assembly |
| 2 | Spline Adaptor |
| 3 | CD Valve |
| 4 | Diverter Knob |
| 5 | Handset Holder |
| 6 | Handset |
| 7 | Backnut and Washer |
| 8 | Diverter Mechanism |
| 9 | Hose Connector (Elbow) |
| 10 | M24 Aerator |
| 11 | Plinth and O Ring |
| 12 | Handset Hose |