

MOL ES BAS BB

MOLIDA Tap Range Molida Eco-Start Basin Mixer Brushed Brass



Specification

Product Type:	Bathroom Taps
Main Construction Material:	Brass
Mount Type:	Deck
Handle Type:	Peg
Connection Inlet:	1/2" BSP Flexible Tails
Connection Outlet:	M24 5 LPM Flow limiter
Number of Tap Holes:	1
Valve/Cartridge Type:	35mm Eco-Start Cartridge
Plumbing System Requirements:	Suitable for all plumbing systems
Minimum Dynamic Pressure (bar):	0.2 bar
Maximum Dynamic Pressure (bar):	5 bar
Maximum Hot Water Temperature °C:	60°C
Maximum Static Pressure (bar):	10 bar
Flow Type:	Single
Isolation Included:	No

Features:

- Eco Start technology saves energy by having cold water as the default central start position of the tap handle. Hot water is only activated when the tap lever is moved from the central position, so your boiler is not unnecessarily fired up.
- This tap has a flow regulator, which limits the flow of water to 5 litres per minute, reducing the amount of water you use.
- Everything you need in the box including flexible tails and clicker waste so nothing to buy separately.
- Long life ceramic cartridge for added durability and smooth control.
- On-trend brushed brass finish to make a statement in your bathroom.

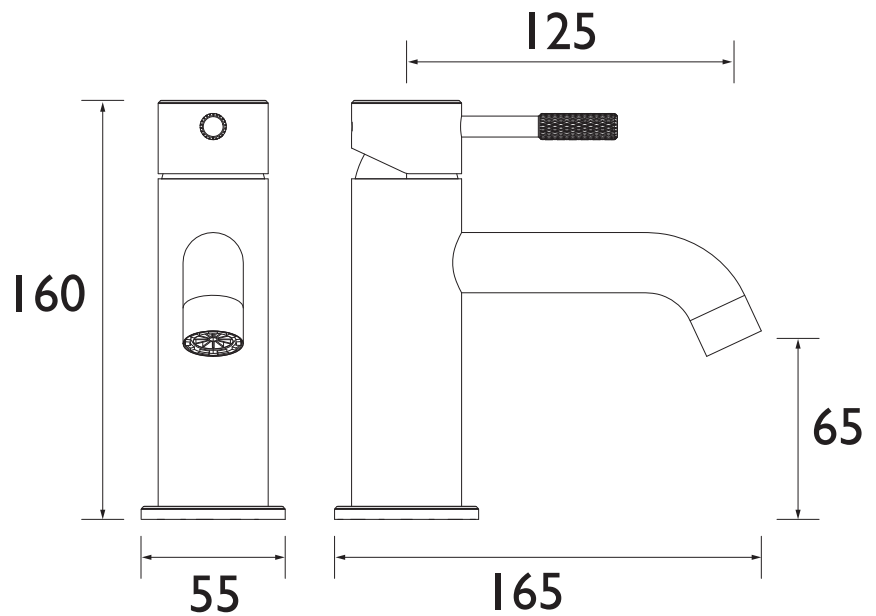
Product Certifications:



WRAS Certificate No: 240403005
WRAS Expiry Date: 30/04/2029



Dimensions (measurements in mm)



Flow Rates (l/min)

System Pressure (bar)	0.2	0.5	1	2	3	5
MOL ES BAS BB (mixed)	2.2	3.5	4.2	4.7	4.7	5

TECHNICAL DATA SHEET



BRISTAN

D1.2