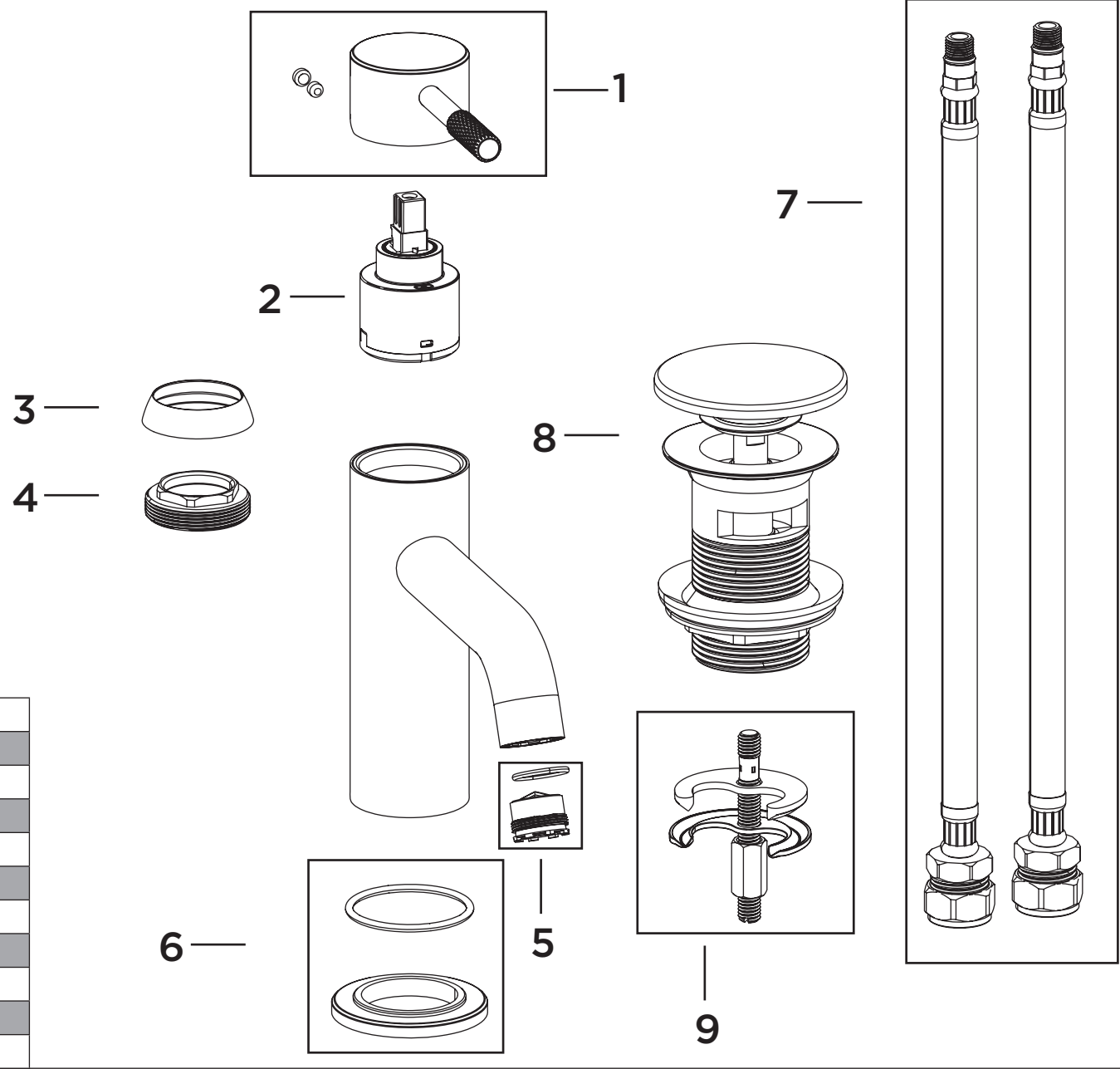


Product Code: MOL ES BAS __
Revision: D1



1	Handle Assembly
2	35mm Cartridge
3	Shroud
4	Cartridge Retaining Nut
5	M24 Aerator
6	Plinth and O Ring
7	15mm Flexible Tails
8	Waste Assembly
9	Fixing kit
10	
11	