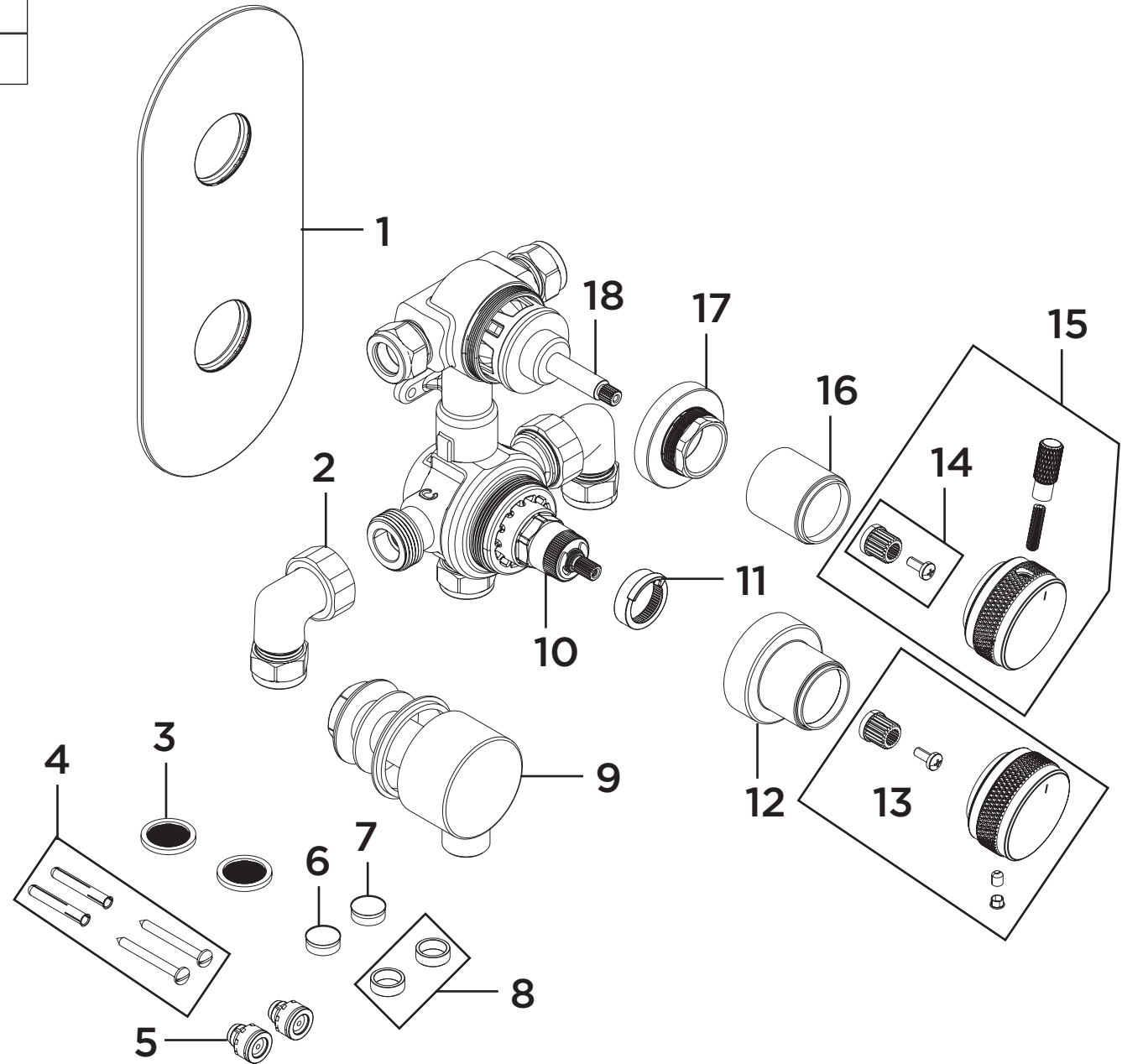
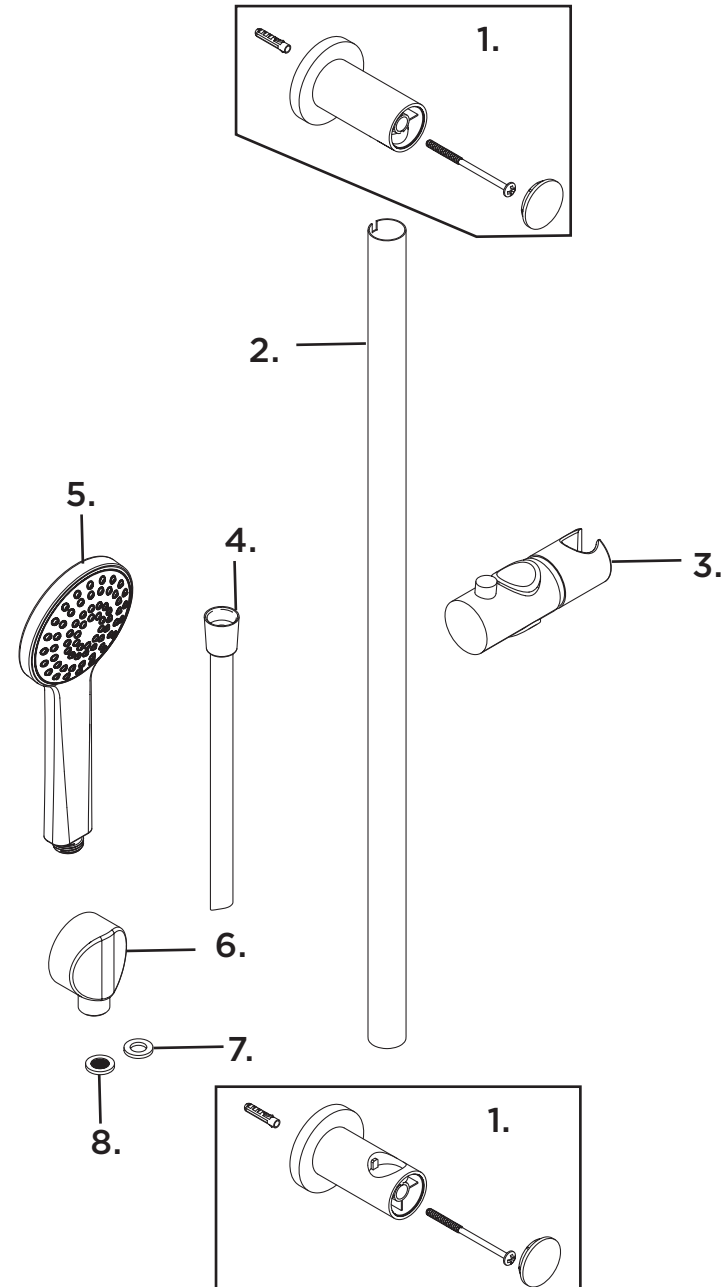


Product Code: MOLIDA __ SHWR PK

Revision: D1



1	Concealing Plate
2	Elbow Assembly
3	Filter
4	Screw Pack
5	Check Valve
6	5lpm Flow Limiter
7	7lpm Flow Limiter
8	Inserts (Pair)
9	Wall Outlet
10	Thermostatic Cartridge
11	Temperature Stop
12	Temperature Shroud
13	Temperature Handle Assembly
14	Spline Adaptor
15	Diverter Handle Assembly
16	Diverter Shroud
17	Diverter Retaining Nut
18	40mm Diverter Cartridge

Product Code: MOLIDA __ SHWR PK**Revision:** D1

1	Top Wall Bracket
2	650mm Riser Rail
3	Slider
4	1.5m Cone to Nut Hose
5	Multi-Function Handset
6	Wall Outlet
7	Sealing Washer
8	Filter Washer