

MOLIDA SHWR PK

MOLIDA Shower Range Molida Concealed Dual Control Shower Pack Chrome



Features:

- All in one box - pack includes shower valve with integral two outlet diverter, slimline 200mm round drench head with shower arm, and shower kit with an adjustable riser rail plus a multi function handset and wall outlet.
- Multi function rub clean handset and drench head - limescale and debris build-up is quickly and easily removed by rubbing a finger or a cloth over the nozzles.
- A hard-wearing, flawless, scratch resistant chrome finish that lasts for years. Salt spray tested to ensure added durability
- Slim design recessed shower valve will fit into a cavity space as small as 35mm for hassle-free installation.
- Dual control - Flow and temperature are operated separately giving accurate control of both.

Product Certifications:



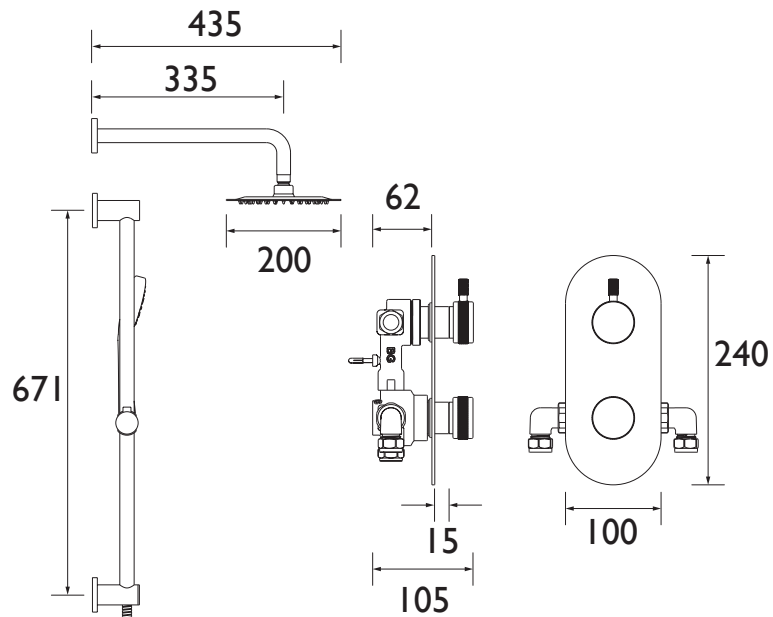
For more products, visit our website:
<http://www.bristan.com>



Specification

Finish/Colour:	Chrome Plated
Main Construction Material:	Brass; ABS
No of Controls:	2
Shower Type:	Dual Control
Shower Head Type:	Both
Shower Kit:	Fixed Head & Adjustable Riser
Valve/Cartridge Type:	Thermostatic Cartridge & 40mm Single Lever Cartridge
Maximum Hot Water Supply Temperature °C:	60
Plumbing System Suitability:	Suitable for all plumbing systems
Minimum Dynamic Pressure (bar):	0.2
Maximum Dynamic Pressure (bar):	5
Maximum Static Pressure (bar):	10
Connection Inlet:	15mm Compression
Connection Outlet:	G 1/2"
Isolation Valve Included:	No
Check Valve Included:	Yes

Dimensions (measurements in mm)



Flow Rates (l/min)

System Pressure (bar)	0.2	0.5	1	2	3	5
Through Fixed Head (mixed)	5.9	9.3	13.5	19.5	23.3	24.8
Fixed Head with Flow Limiters (mixed)	3.6	5.9	6.5	8.1	8.5	9.6
Through Handset (mixed)	3.1	5.8	8.7	12.9	16	21
Handset with Flow Limiters (mixed)	2.7	5	7.3	7.8	8.9	9.8

TECHNICAL DATA SHEET



BRISTAN

D1