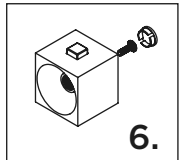
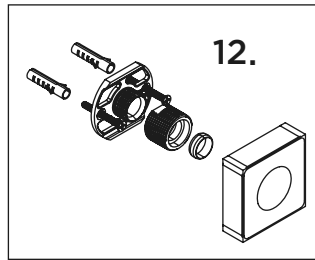
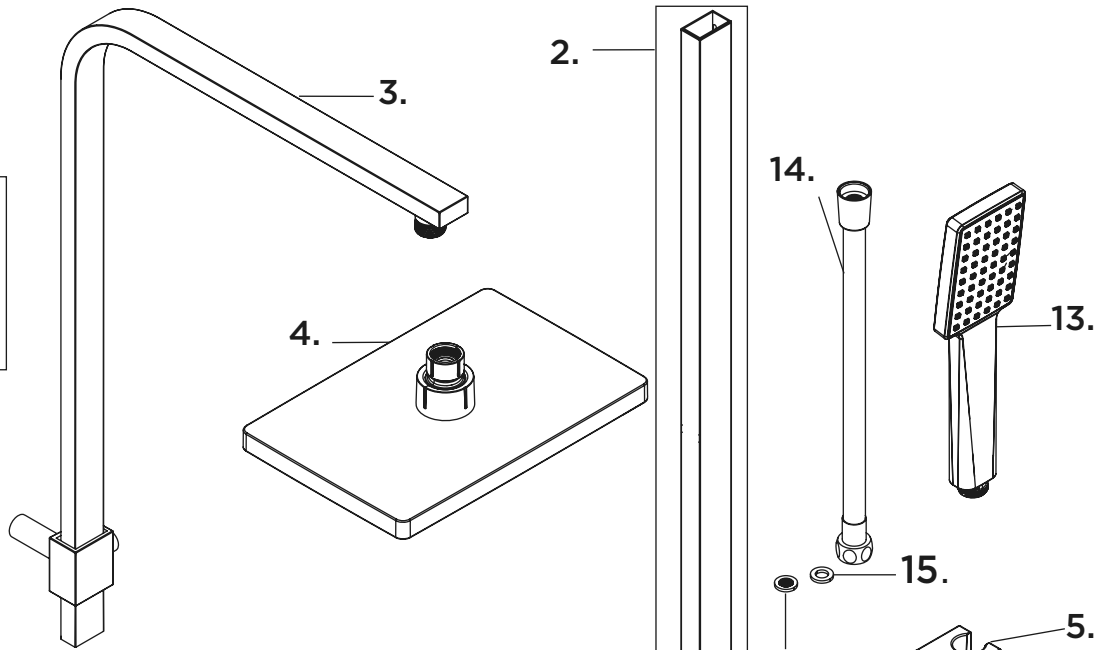
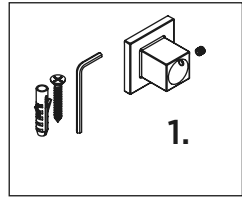


Product Code: NAP SHXDIVSMFF C
Revision: D2



1	Wall Bracket Assembly
2	750mm Riser Rail Assembly
3	Wall Arm Assembly
4	Fixed Head
5	Handset Holder
6	Temperature Handle Assembly
7	Thermostatic Cartridge
8	Diverter Cartridge
9	Diverter Retaining Nut
10	Flow Handle Assembly
11	3/4" Filter Washer
12	Wall Mount Kit (Pair)
13	Single Function Handset
14	1.5m Cone to Nut Hose
15	Washer
16	Filter Washer
17	Temperature Stop
18	Wall Mount Fixing Nut