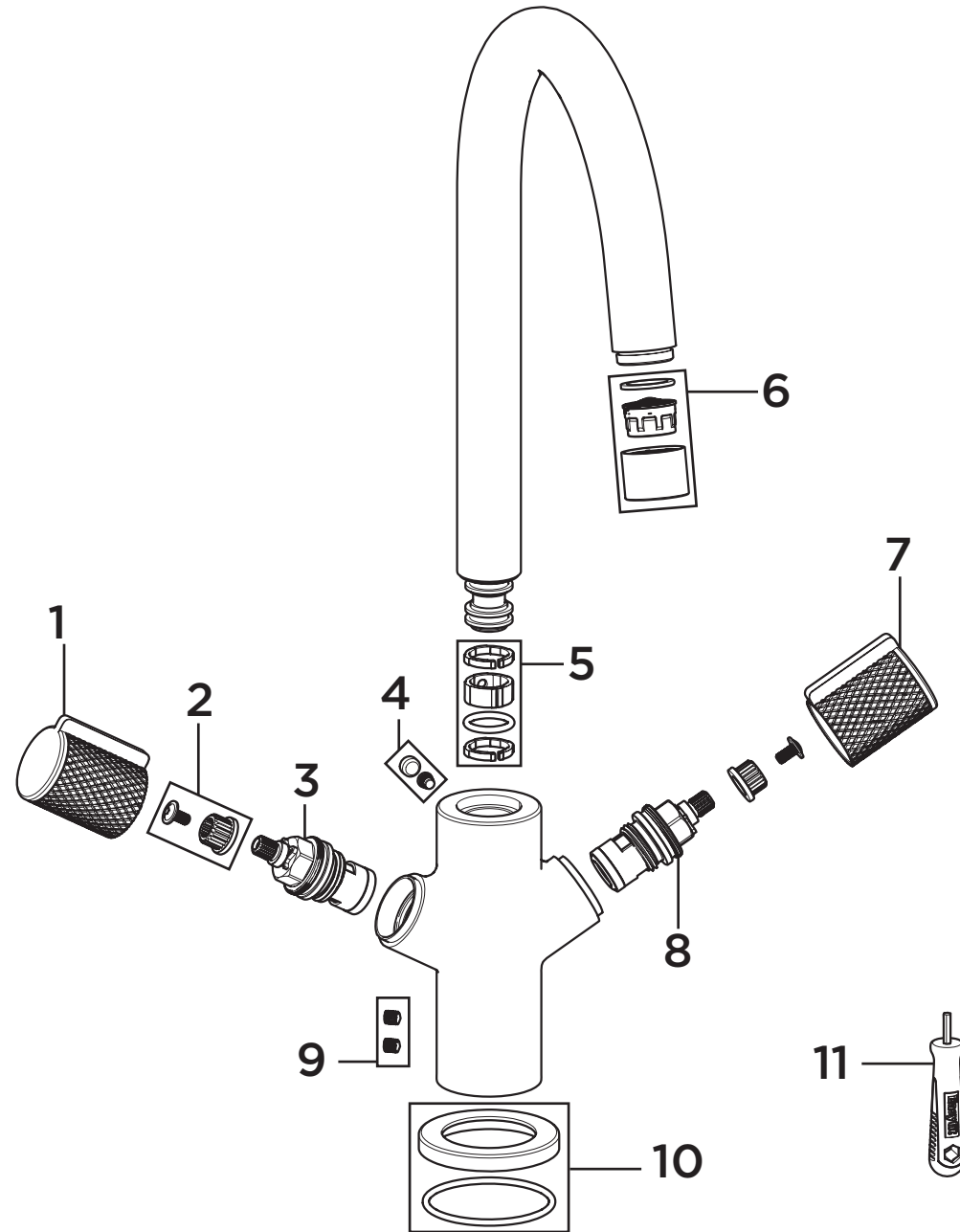


Product Code: FRN EFSNK _

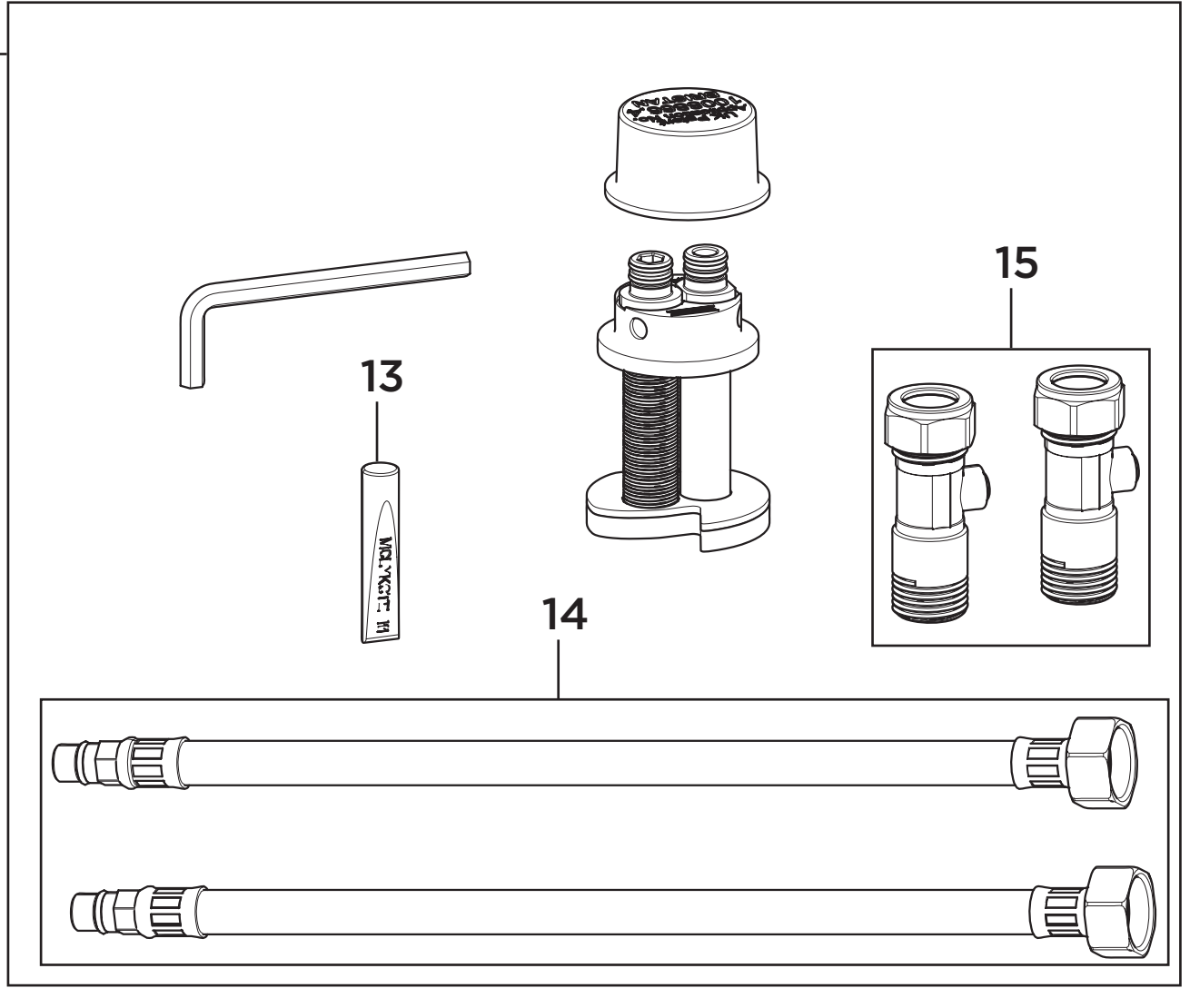
Revision: D1

1	Hot Handle Assembly
2	Screw & Spline Adapter
3	Hot Ceramic Disc Valve
4	Spout Grub Screw & Cover
5	Spout Seals Kit
6	Housed M22 8lpm Aerator
7	Cold Handle Assembly
8	Cold Ceramic Disc Valve
9	Base Grub Screws (pair)
10	Plinth with Rubber Seal
11	EasyFit Tool
12	EasyFit Kit Pack
13	Molykote Grease
14	1/2" BSP Flexible Tails (pair)
15	Isolation Valves (pair)



Product Code: FRN EFSNK _
Revision: D1

12



1	Hot Handle Assembly
2	Screw & Spline Adapter
3	Hot Ceramic Disc Valve
4	Spout Grub Screw & Cover
5	Spout Seals Kit
6	Housed M22 8lpm Aerator
7	Cold Handle Assembly
8	Cold Ceramic Disc Valve
9	Base Grub Screws (pair)
10	Plinth with Rubber Seal
11	EasyFit Tool
12	EasyFit Kit Pack
13	Molykote Grease
14	1/2" BSP Flexible Tails (pair)
15	Isolation Valves (pair)