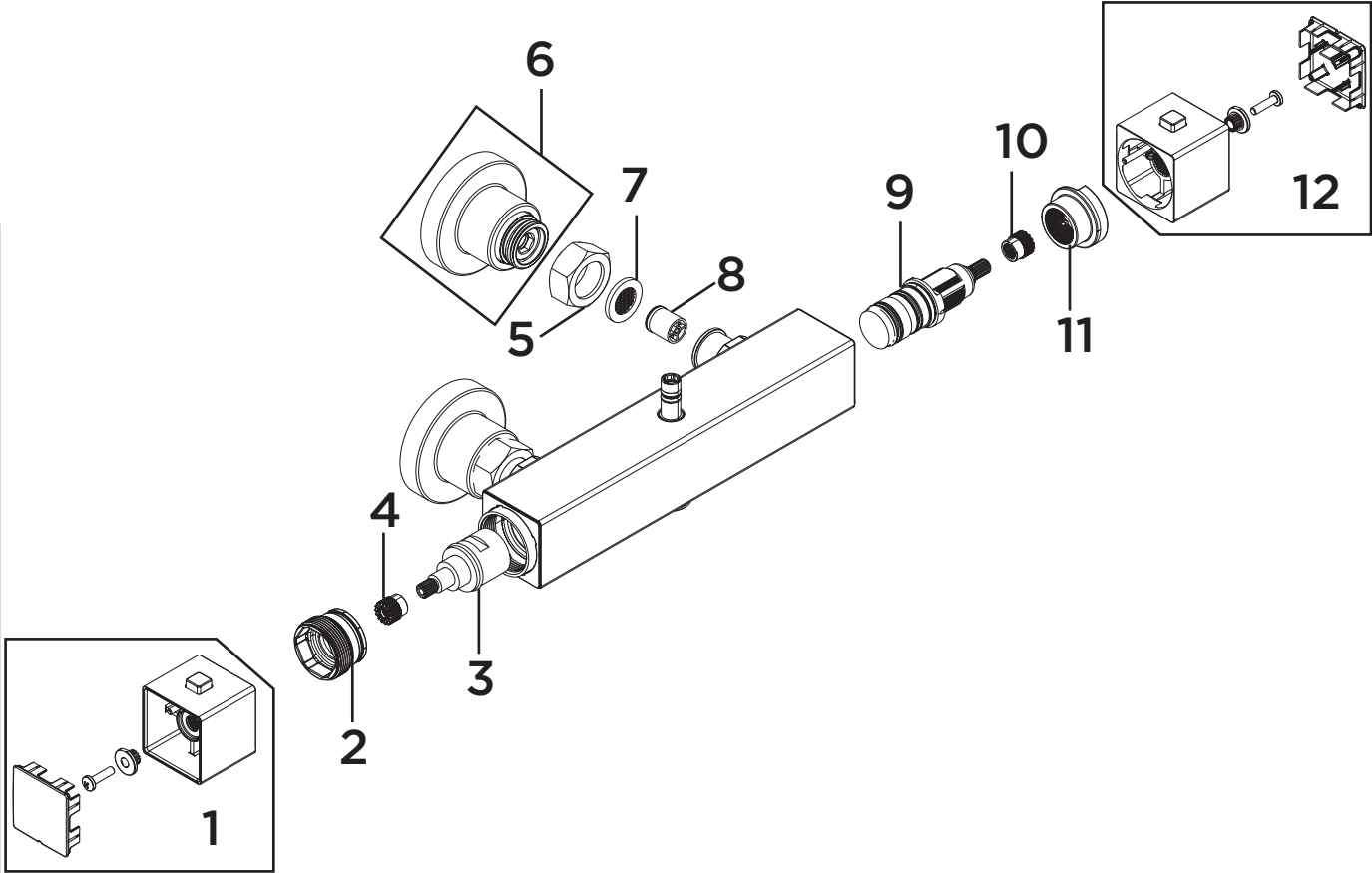


Product Code: QB SHXDIVCTFF RANGE

Revision: D1

1	Flow Handle Assembly
2	Retaining Nut
3	Diverter Valve
4	Spline Adaptor
5	Plated Nut (Pair)
6	Wall Mount 12 Kit
7	Filters (Pair)
8	Check Valves (Pair)
9	Thermostatic Cartridge
10	Spline Adaptor
11	Temperature Stop
12	Temperature Handle Assembly
13	Cone to Cone Hose
14	Wall Bracket Assembly
15	Riser Rail Assembly
16	Slider
17	Multi-Function Handset
18	Fixed Head
19	Telescopic Arm



Product Code: QB SHXDIVCTFF RANGE

Revision: D1

1	Flow Handle Assembly
2	Retaining Nut
3	Diverter Valve
4	Spline Adaptor
5	Plated Nut (Pair)
6	Wall Mount 12 Kit
7	Filters (Pair)
8	Check Valves (Pair)
9	Thermostatic Cartridge
10	Spline Adaptor
11	Temperature Stop
12	Temperature Handle Assembly
13	Cone to Cone Hose
14	Wall Bracket Assembly
15	Riser Rail Assembly
16	Slider
17	Multi-Function Handset
18	Fixed Head
19	Telescopic Arm

