

# QB SHXDIVCTFF BB

## QUBO Shower Range Qubo Safe Touch Thermostatic Rigid Riser Diverter Bar Shower Brushed Brass



### Features:

- All in one box - pack includes bar shower valve, hose, telescopic rigid riser rail and rub-clean anti-limescale drench head and multi function handset so nothing to buy separately.
- Supplied with a fast fit Wallmount 12 fixing kit with built-in front of wall isolation valves on both the hot and cold feed, making it simple to fit, maintain and replace.
- Safe Touch technology ensures the valve stays cool to the touch while in use.
- Telescopic riser so you can adjust the height to suit your space. Giving you the flexibility to fit in a wet room/walk in shower or over a bath.
- Integral two outlet diverter so you can easily switch between the handset or drench head.

### Product Certifications:



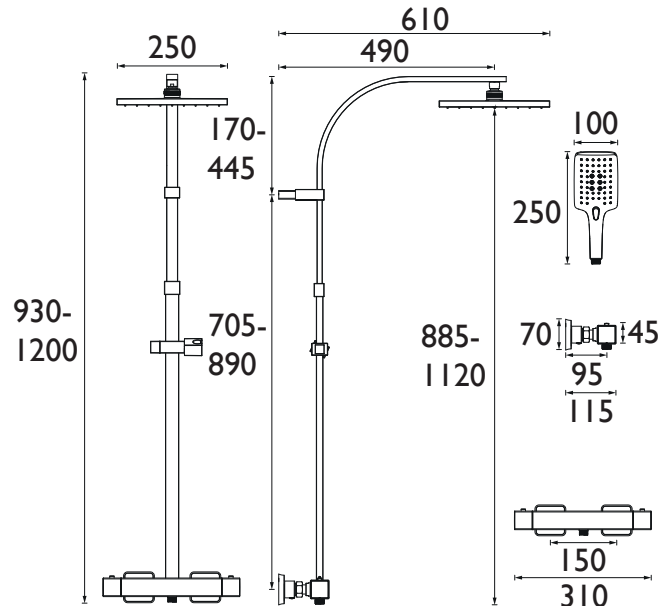
WRAS Certificate No.: 240903006  
WRAS Expiry Date: 31/09/2029



### Specification

|  |  |
|--|--|
| Finish/Colour:                           | Brushed Brass                                |
| Main Construction Material:              | Brass; Stainless Steel; ABS                  |
| No of Controls:                          | 2  |
| Shower Type:                             | Bar Shower                                   |
| Shower Head Type:                        | Fixed Head and Multi-Function Handset        |
| Shower Kit:                              | Telescopic Riser with Fixed Head and Handset |
| Valve/Cartridge Type:                    | Thermostatic Cartridge                       |
| Maximum Hot Water Supply Temperature °C: | 60   |
| Plumbing System Suitability:             | Suitable for high pressure plumbing systems  |
| Minimum Dynamic Pressure (bar):          | 1  |
| Maximum Dynamic Pressure (bar):          | 5  |
| Maximum Static Pressure (bar):           | 10   |
| Connection Inlet:                        | 15mm Compression                             |
| Connection Outlet:                       | G1/2"  |
| Isolation Valve Included:                | Yes  |
| Check Valve Included:                    | Yes  |

### Dimensions (measurements in mm)



### Flow Rates (l/min)

| System Pressure (bar)      | 1   | 2   | 3   | 4   | 5   |
|----------------------------|-----|-----|-----|-----|-----|
| Through Handset (mixed)    | 4.3 | 6.3 | 7.6 | 8.3 | 8.3 |
| Through Fixed Head (mixed) | 6.1 | 8.6 | 9.8 | 9.9 | 9.4 |

## TECHNICAL DATA SHEET



# BRISTAN

D2