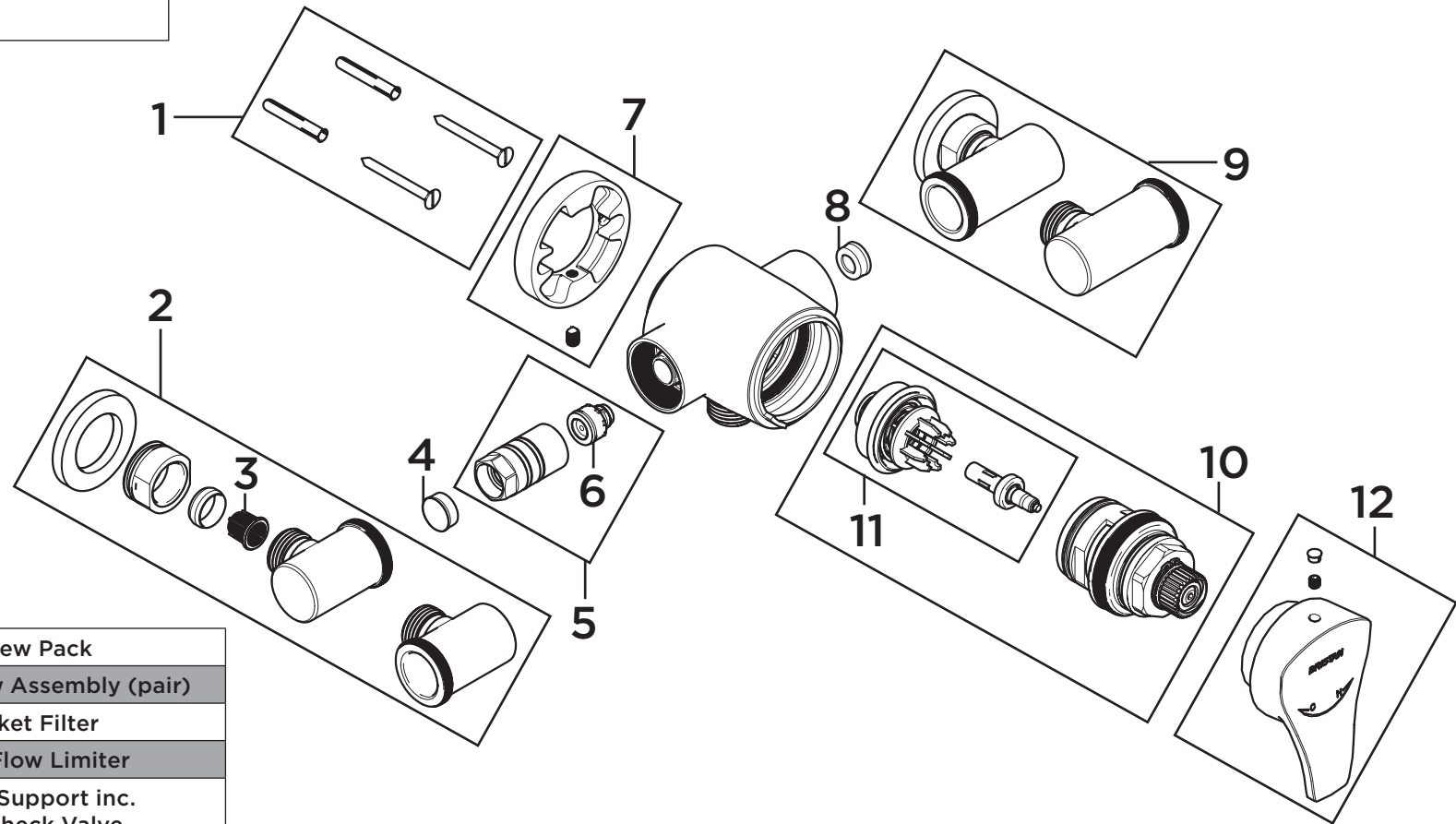
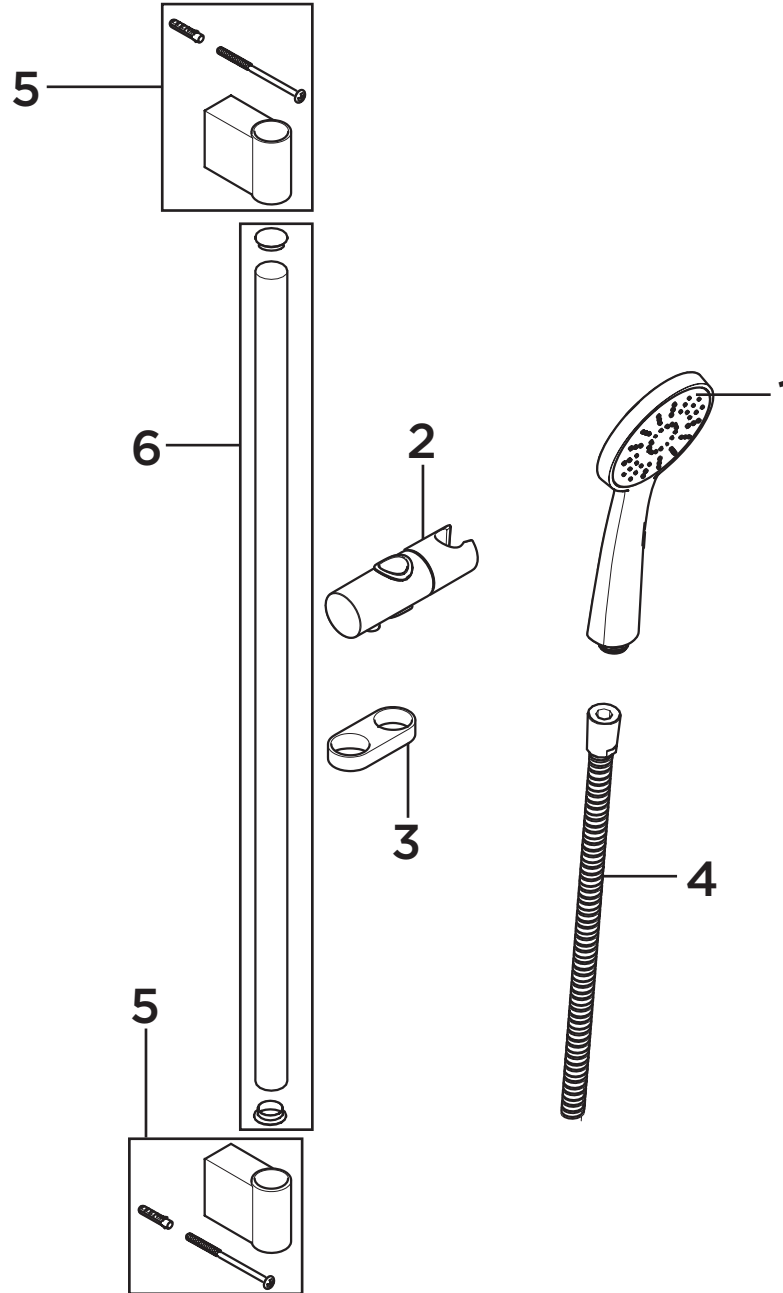


Product Code: CAP3 SHXAR C**Revision:** D1

1	Screw Pack
2	Short Elbow Assembly (pair)
3	Basket Filter
4	5lpm Flow Limiter
5	Elbow Support inc. 1/2" Check Valve
6	1/2" Check Valve
7	Backplate with Grub Screw
8	7lpm Flow Limiter
9	Long Elbow Assembly (pair)
10	Thermostatic Cartridge inc. Thermostat & Piston
11	Thermostat & Piston Assembly
12	Handle Assembly

Product Code: SMILE SHOWER KIT

Revision: D1



1	Single Function Handset
2	Slider
3	Hose Retainer
4	Hose
5	Wall Bracket inc. Fixings (pair)
6	Riser Rail inc. End caps