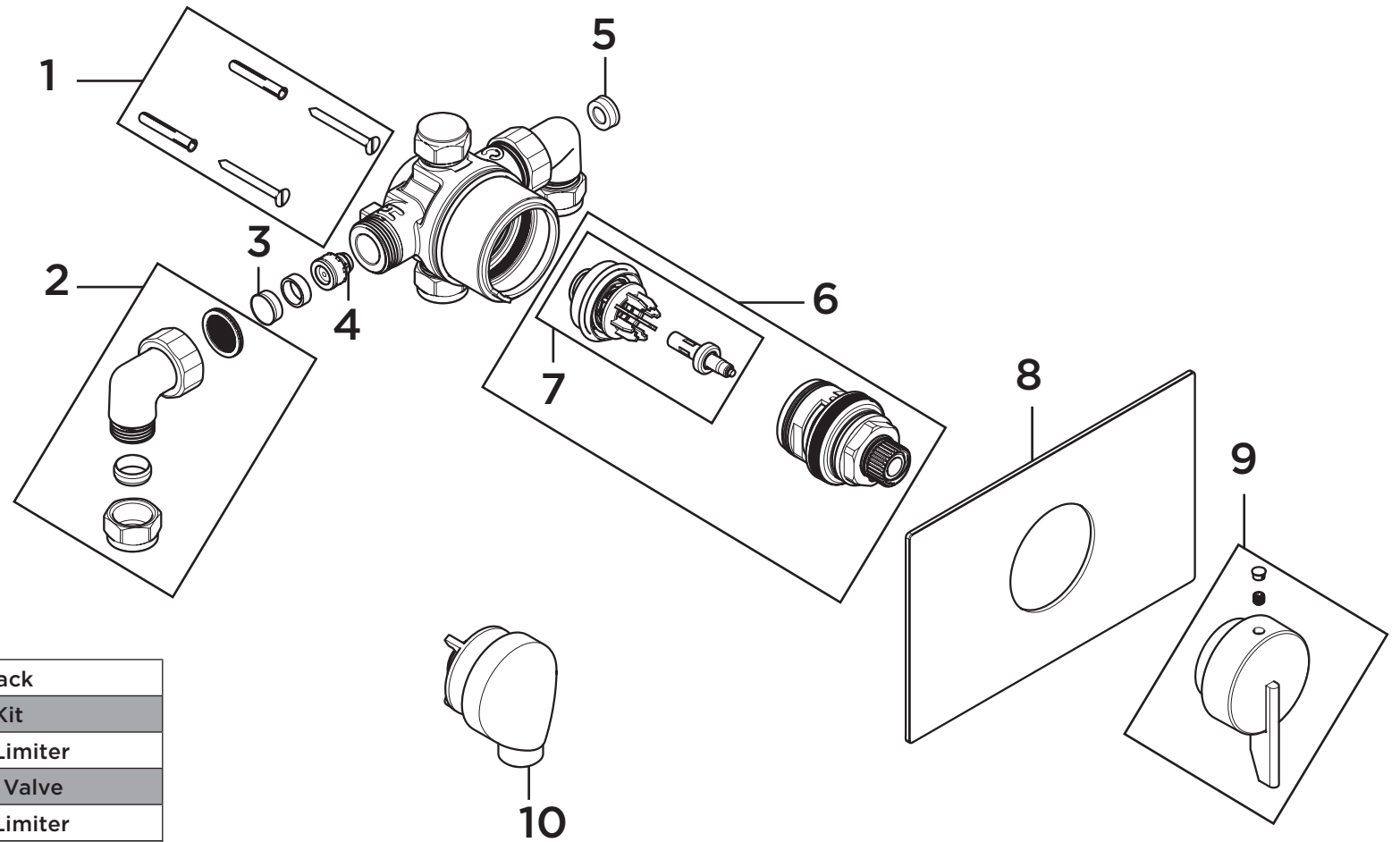


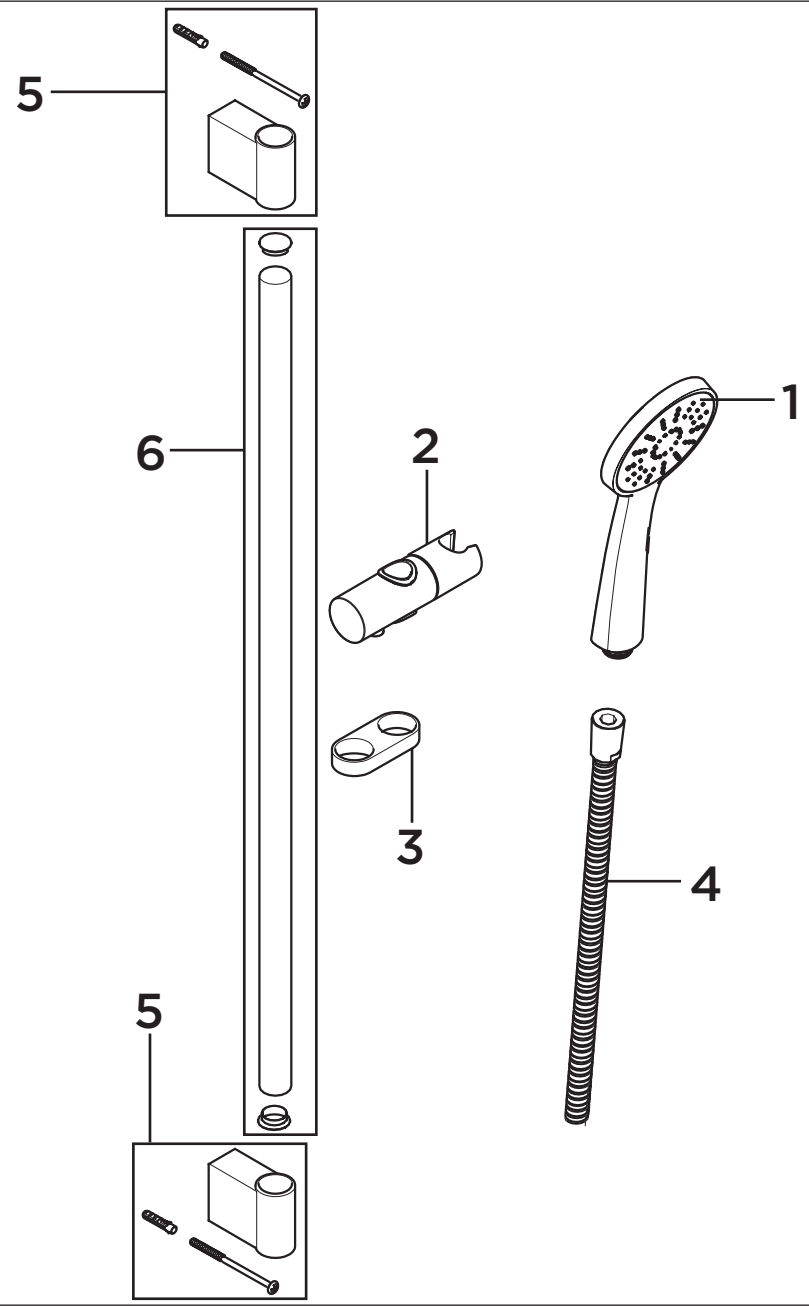
Product Code: SOQ3 SHCAR C

Revision: D1



| | |
|----|---|
| 1 | Screw Pack |
| 2 | Elbow Kit |
| 3 | 5lpm Flow Limiter |
| 4 | 1/2" Check Valve |
| 5 | 7lpm Flow Limiter |
| 6 | Thermostatic Cartridge inc. Thermostat & Piston |
| 7 | Thermostat & Piston Assembly |
| 8 | Conealing Plate |
| 9 | Handle Assembly |
| 10 | Wall Outlet |

Product Code: SMILE SHOWER KIT
Revision: D1



| | |
|---|----------------------------------|
| 1 | Single Function Handset |
| 2 | Slider |
| 3 | Hose Retainer |
| 4 | Hose |
| 5 | Wall Bracket inc. Fixings (pair) |
| 6 | Riser Rail inc. End caps |