

ELE BAS C

ELEVAR Tap Range Elevar Basin Mixer Chrome



Specification

Product Type:	Bathroom Taps
Main Construction Material:	Brass
Mount Type:	Deck
Handle Type:	Paddle Lever
Connection Inlet:	1/2" BSP Flexible Tails
Connection Outlet:	M24 5lpm Flow Limited Aerator
Number of Tap Holes:	1
Valve/Cartridge Type:	26mm Standard Cartridge
Plumbing System Requirements:	Suitable for all plumbing systems
Minimum Dynamic Pressure (bar):	0.5 bar
Maximum Dynamic Pressure (bar):	5 bar
Maximum Hot Water Temperature °C:	60°C
Maximum Static Pressure (bar):	10 bar
Flow Type:	Single
Isolation Included:	No

Features:

- This tap has a flow regulator, which limits the flow of water to 5 litres per minute, reducing the amount of water you use.
- Everything you need in the box including flexible and clicker waste so nothing to buy separately.
- Long life ceramic cartridge for added durability and smooth control.
- A hard-wearing, flawless, scratch resistant chrome finish that lasts for years. Salt spray tested to ensure added durability.
- 10 year parts and 1 year labour guarantee for peace of mind.

Product Certifications:



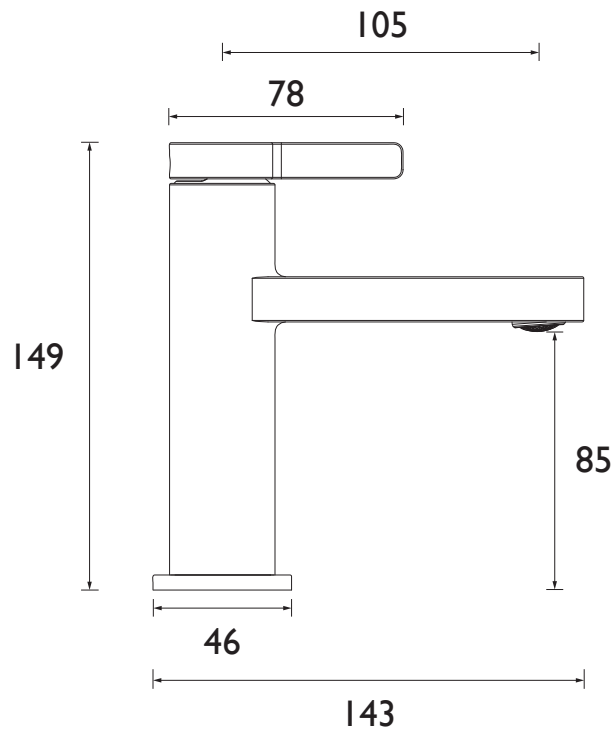
WRAS Certificate No: 240903011
WRAS Expiry Date: 30/09/2029



For more products, visit our website:
<http://www.bristan.com>



Dimensions (measurements in mm)



Flow Rates (l/min)

System Pressure (bar)	0.5	1	2	3	5
ELE BAS C (mixed)	2.9	4	4.9	4.8	5.1

TECHNICAL DATA SHEET



BRISTAN

D1.2